

CATALOGUE/PRICELIST **2022**
15/03



durian®



DISCOVER THE ADVANTAGES OF BEING PART OF



TECHNICAL DATA SHEETS

Access all our product data sheets and assembly instructions quickly and easily.



1

Open the QR code that you will find at the start of each chapter throughout this catalogue.



2

If you are new, register in our PROFESSIONAL AREA, if you are already a user, log in with your password. Remember your access data to log in automatically.



3

Access our product finder and get direct access to all the necessary technical information.

What is durian® ?



Durian® is a registered trademark of Solid Surface that has all the required quality certificates.

The main component is a mineral (Alumina Trihydrate) when mixed with a low percentage of resins that make a product that can be injected into moulds to obtain the desired forms. Its natural colour is neutral white, a smooth to touch compact material, very hard wearing and highly resistance to impact, allowing the construction of designs without visible joints, consistent and solid through its entire thickness.

Durian® represents the personality, elegance, and creativity of a materials that offers the possibility of any style and design.



HIGH QUALITY



MOULDABLE



HYGIENIC



ECOLOGICAL



REPAIRABLE



CLEAN & LONG-LASTING

QUALITY CERTIFICATIONS



SHOWER TRAYS



LAVABOS



BAÑERAS

Durian® in collaboration with the International Technological Institute AIDIMME recognised by the Spanish Ministry of Science and Innovation has certified that our products, including all basins, shower trays, countertops, baths, and panels comply with all the regulations to guarantee their commercialisation with the necessary requirements for their use.



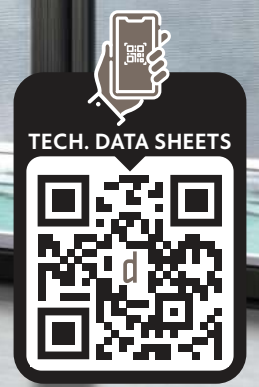
More information and assembly instructions.

SUMMARY



CONTRACT AREA	P. 04-07
FREE CONCEPT	P. 08-13
FULL CONCEPT	P. 14-19
BARI CONCEPT	P. 20-23
COUNTERTOPS	P. 24-61
PISA FLAT	P. 26-27
FERRARA	P. 28-29
SICILIA	P. 30-31
MILANO	P. 32
BOLOGNA	P. 33
NEW NAPOLI	P. 33
ELBA	P. 34-35
FLORENCE	P. 36-37
NEW SIENA	P. 38
NEW CAPRI	P. 38
VENECIA	P. 38
SIENA MINI	P. 40
TURIN	P. 40
ELBA MINI	P. 41
FLORENCE MINI	P. 41
IMPERIA	P. 42
COMPLEMENTS	P. 46-47
CUTS	P. 48-49
TOWEL RAILS	P. 50-51
MACHINING	P. 52-53
STORAGE	P. 54-61
ON CONCEPT	P. 62-79
STRUCTURES	P. 80-87
SHOWER TRAYS	P. 88-101
XPRESS	P. 90-93
CONCEPT	P. 94-95
NEW PISA	P. 96-97
ACCESSORIES	P. 98-101
BATHTUB	P. 102-107
VERONA	P. 104-105
MILANO	P. 106-107
INTEGRATED SPACES	P. 108-113
WALLS	P. 110-111
TAP SOLUTIONS	P. 112-113
ACCESSIBILITY	P. 114-115

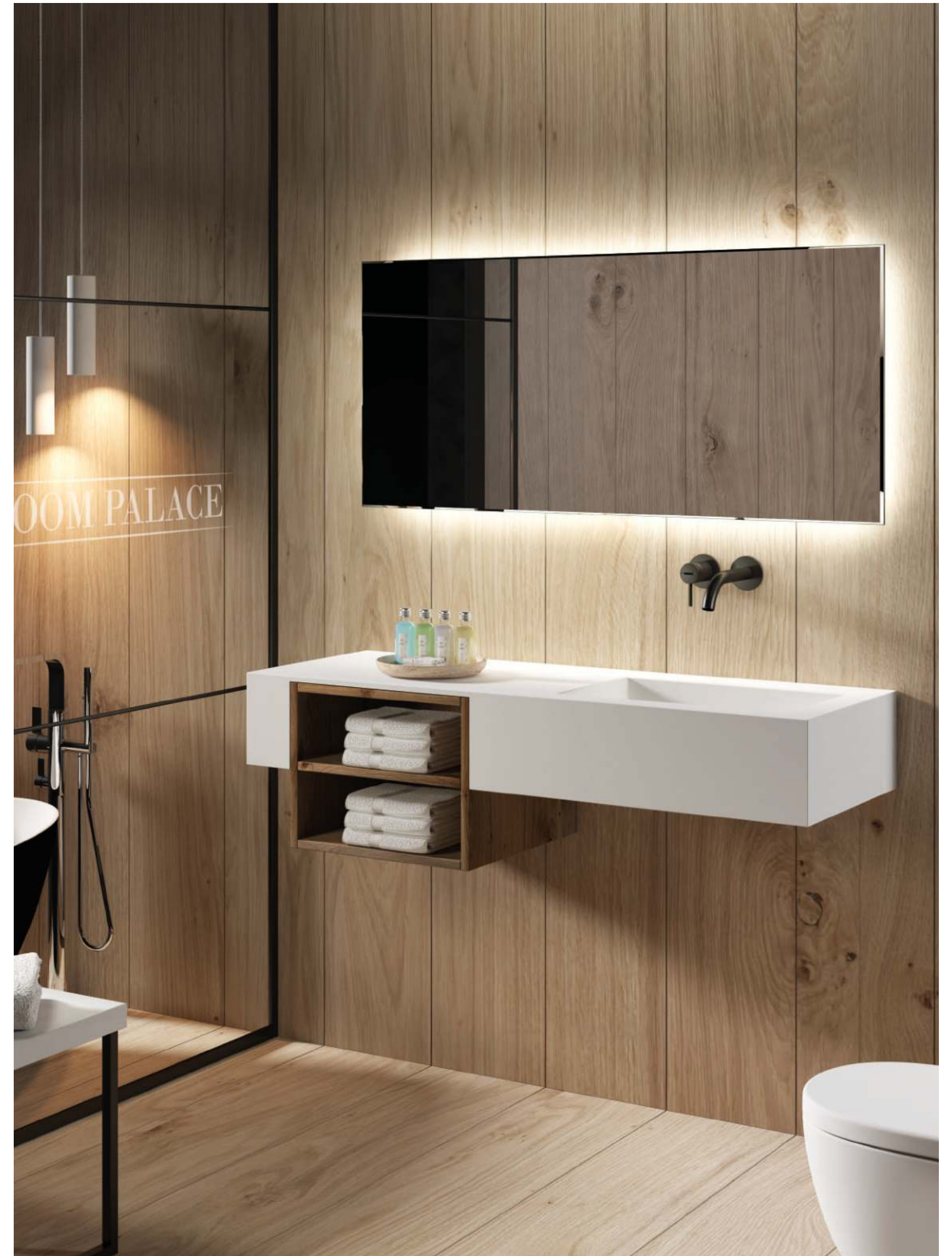




CONTRACT AREA

Durian® is perfect for Contracts and Hotel Groups, designing spaces in collaboration with architects, hotel chains, and designers, adapting to the sizes and characteristics that these markets require.

Thanks to the qualities of Durian® (anti-bacterial, very hard wearing, with high resistance to impact and easily repairable) allows the construction of personalised parts without visible joints.



CONTRACT AREA



More information and assembly instructions.



FREE CONCEPT



CHESTER DECO

LONDON



BOLTON - OXFORD - CHESTER - LONDON

Page 119

SELECT MATT LACQUER

SXOO03 RAL 7047	SXOO04 RAL 7045
SXOO05 RAL 7015	SXOO06 RAL 9002
SXOO07 RAL 7032	SXOO08 RAL 7033
SXOO09 RAL 1013	SXOO10 RAL 7006
SXOO11 RAL 8014	SXOO12 RAL 6034
SXOO13 RAL 6013	SXOO14 RAL 9005
SXOO15 RAL 3015	SXOO16 RAL 4008
SXOO17 RAL 1032	SXOO18 RAL 2000
SXOO19 RAL 2001	SXOO20 RAL 3001
SXOO21 RAL 3003	SXOO22 RAL 5024
SXOO23 RAL 5007	SXOO24 RAL 5003

METALLISED

ESME05 GOLD
ESME07 SILVER



LONDON

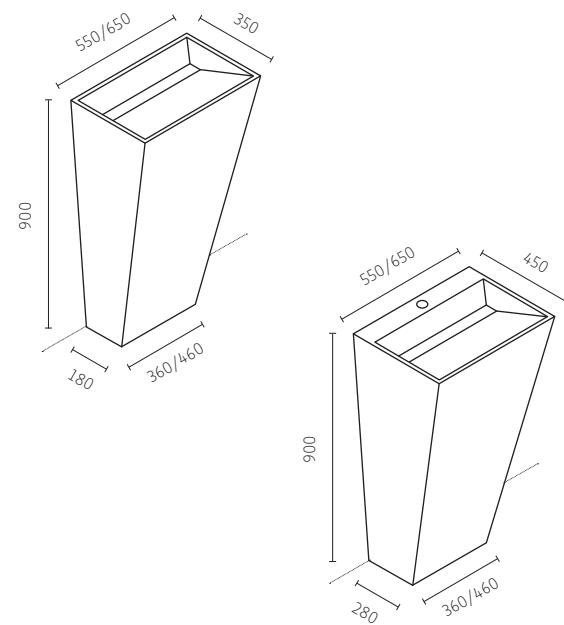


CHESTER - BRISTOL

FREE CONCEPT



OXFORD



OXFORD

REFERENCE	WIDTH	DEPTH	HEIGHT	DURIAN
468 050 XXX 10Z	55	35	90	1.660,69
468 060 XXX 10Z	65	35	90	1.816,73

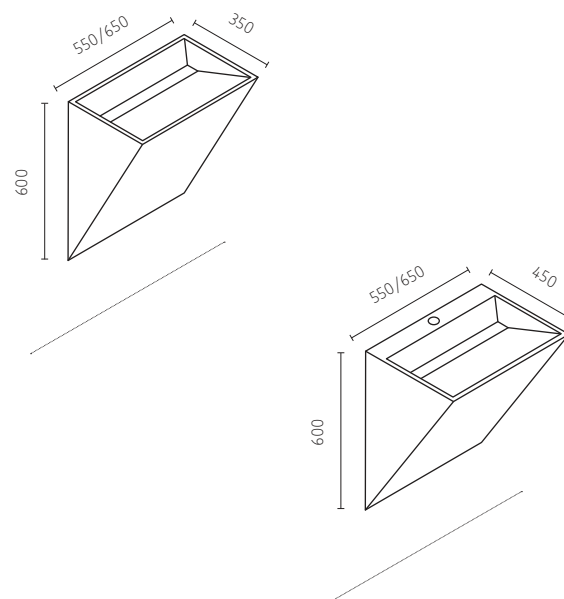
• Basin model PISA FLAT 50/60.

OXFORD WITH TAP

REFERENCE	WIDTH	DEPTH	HEIGHT	DURIAN
468 150 XXX 10Z	55	45	90	1.757,29
468 160 XXX 10Z	65	45	90	1.892,89

• Basin model PISA FLAT 50/60.

BOLTON



BOLTON

REFERENCE	WIDTH	DEPTH	HEIGHT	DURIAN
468 050 XXX 30Z	55	35	60	1.458,22
468 060 XXX 30Z	65	35	60	1.612,40

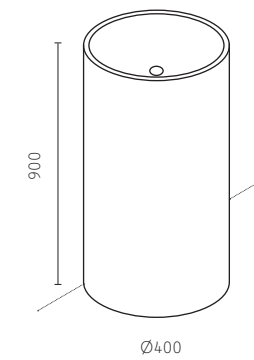
• Basin model PISA FLAT 50/60.

BOLTON WITH TAP

REFERENCE	WIDTH	DEPTH	HEIGHT	DURIAN
468 150 XXX 30Z	55	45	60	1.554,81
468 160 XXX 30Z	65	45	60	1.708,99

• Basin model PISA FLAT 50/60.

LONDON



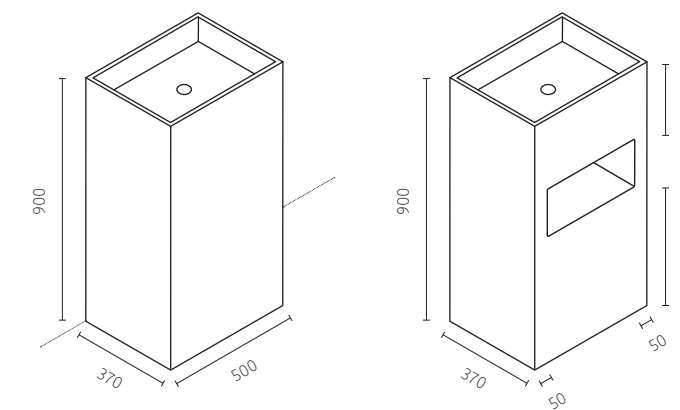
LONDON EXEMPT

✓
STOCK

REFERENCE	WIDTH	DEPTH	HEIGHT	DURIAN	SELECT MATE	METALL.
466 40X XXX 50Z	40	40	90	2.589,49	2.849,56	3.133,77

• Basin model POMPEI.

BRISTOL



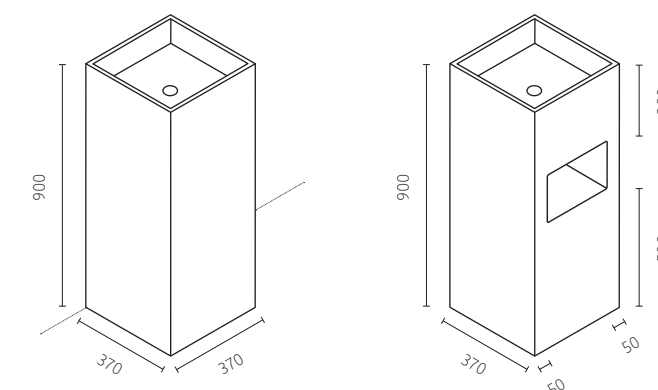
BRISTOL WITH REGISTRATION

✓
STOCK

REFERENCE	WIDTH	DEPTH	HEIGHT	DURIAN	SELECT MATE	METALL.
477 050 XXX 10Z	50	37	90	1.668,12	1.928,19	2.121,38

• Basin model PALERMO.
• Integrated front niche 40x20 cm +£ 510,84
• Integrated side niche 27x20 cm +£ 464,40

CHESTER



CHESTER WITH REGISTRATION

✓
STOCK

REFERENCE	WIDTH	DEPTH	HEIGHT	DURIAN	SELECT MATE	METALL.
471 037 XXX 40Z	37	37	90	1.515,80	1.775,87	1.954,20

• Basin model NEW TRENTO.
• Integrated front/side niche 27x20 cm +£ 464,40 .





FULL CONCEPT



METZ



BURDEOS



NANTES



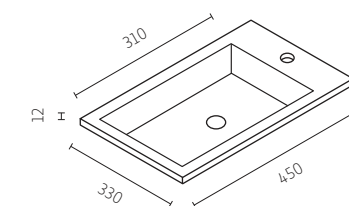
PERLA



PARMA



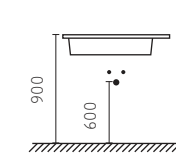
PARMA



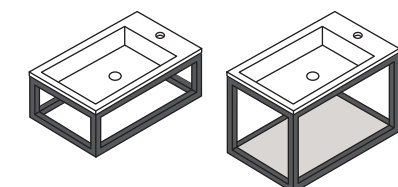
PARMA STANDARD

✓
STOCK

REFERENCE	WIDTH	DEPTH	HEIGHT	RRP
347 030 045 000	45	31	12	481,12



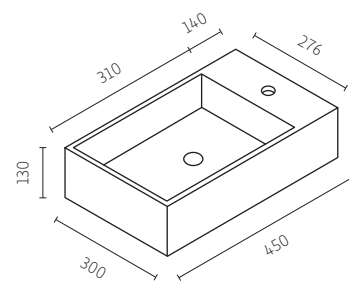
- The price includes space syphon with chrome-plated cover.
- Recommended waste height at 60 cm above floor.
- Installation on metal structures. Page 82-83.



More information and assembly instructions.



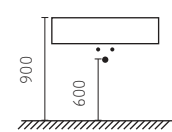
NANTES



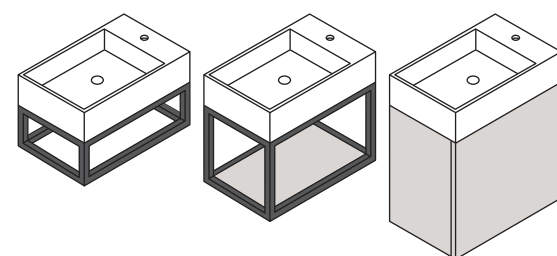
NANTES STANDARD



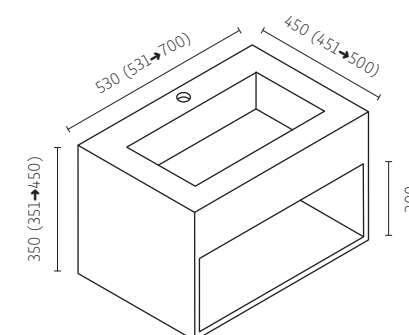
REFERENCE	WIDTH	DEPTH	HEIGHT	RRP
378 040 XXX 100	45	30	13	724,46



- The price includes space syphon with chrome-plated cover.
- Recommended waste height at 60 cm above floor.
- Installation on furniture or metal structures. Page 82-83.



METZ

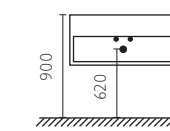


METZ STANDARD

REFERENCE	WIDTH	DEPTH	HEIGHT	RRP
379 040 XXX 100	53	45	35	1.105,27

CUSTOMISED METZ

REFERENCE	WIDTH	DEPTH	HEIGHT	RRP
379 040 XXX 110	up to 70	up to 50	up to 45	1.343,04

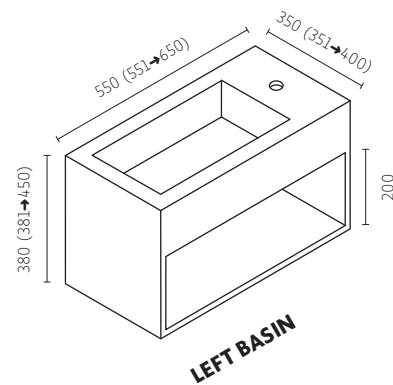


- Basin: ELBA MINI.
- The price includes supports and space syphon with chrome-plated cover.
- Recommended waste height at 62 cm above floor.





PERLA

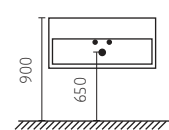


PERLA STANDARD

REFERENCE	WIDTH	DEPTH	HEIGHT	RRP
379 040 XXX 200	55	35	38	1.246,45

CUSTOMISED PERLA

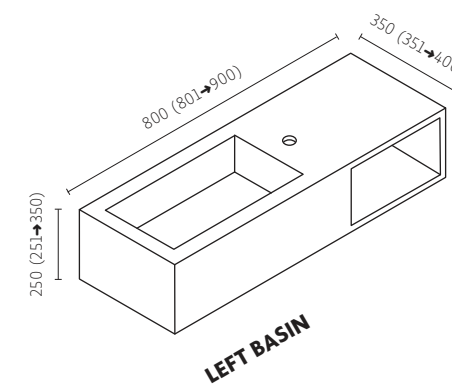
REFERENCE	WIDTH up to	DEPTH up to	HEIGHT up to	RRP
379 040 XXX 210	65	40	45	1.343,04



- Basin: ELBA MINI.
- The price includes supports and space syphon with chrome-plated cover.
- Recommended waste height at 65 cm above floor.
- Specify hand.



BURDEOS

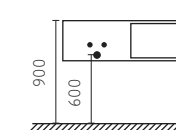


BURDEOS STANDARD

REFERENCE	WIDTH	DEPTH	HEIGHT	RRP
379 040 XXX 300	80	35	25	1.478,65

CUSTOMISED BURDEOS

REFERENCE	WIDTH up to	DEPTH up to	HEIGHT up to	RRP
379 040 XXX 310	90	40	35	1.603,11



- Basin: ELBA MINI.
- The price includes supports and space syphon with chrome-plated cover.
- Recommended waste height at 60 cm above floor.
- Specify hand.





BARI CONCEPT

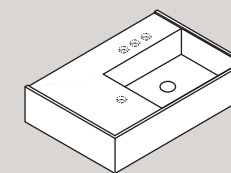


The new countertop BARI combines aesthetics and design and stands alone, due to its extraordinary versatility of dimensions. Especially designed for installation on furniture or metal structures.

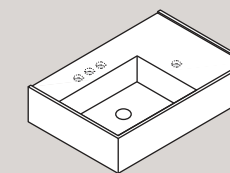
INSTALLATION
ON FURNITURE
OR METAL
STRUCTURES.

COUNTERTOP OPTIONS

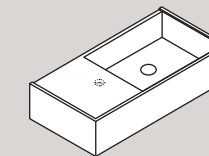
BARI WITH PERIMETER



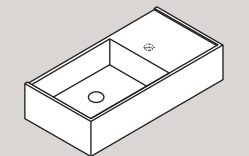
RIGHT DISPLACEMENT 60
Countertop 80→140 / Basin 60.



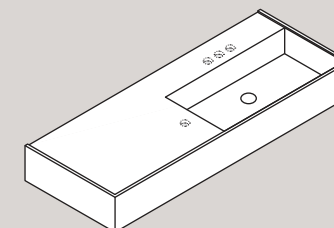
LEFT DISPLACEMENT 60
Basin 60 / Countertop 80→140.



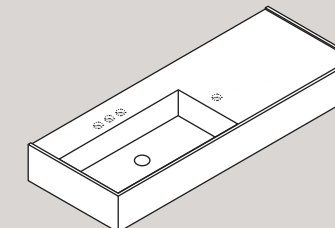
RIGHT DISPLACEMENT 60
Countertop 80→140 / Basin 60.



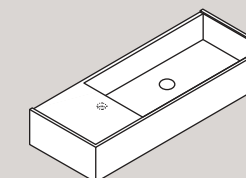
LEFT DISPLACEMENT 60
Basin 60 / Countertop 80→140.



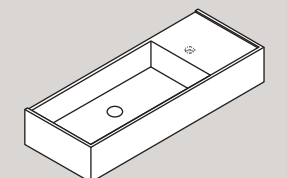
RIGHT DISPLACEMENT 90
Countertop 110→140 / Basin 90.



LEFT DISPLACEMENT 90
Basin 90 / Countertop 110→140.

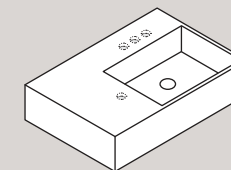


RIGHT DISPLACEMENT 90
Countertop 110→140 / Basin 90.

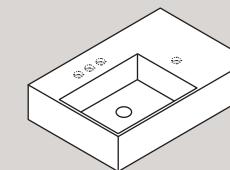


LEFT DISPLACEMENT 90
Basin 90 / Countertop 110→140.

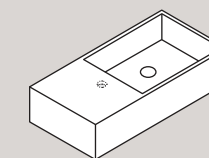
BARI WITHOUT PERIMETER



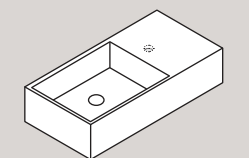
RIGHT DISPLACEMENT 60
Countertop 80→140 / Basin 60.



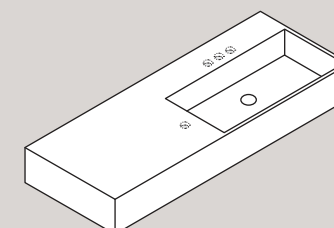
LEFT DISPLACEMENT 60
Basin 60 / Countertop 80→140.



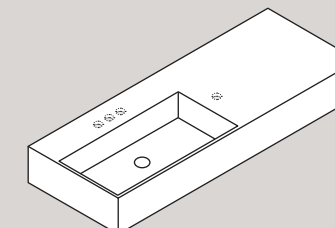
RIGHT DISPLACEMENT 60
Countertop 80→140 / Basin 60.



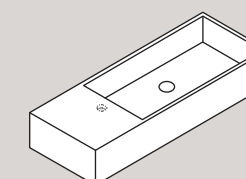
LEFT DISPLACEMENT 60
Basin 60 / Countertop 80→140.



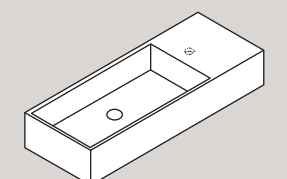
RIGHT DISPLACEMENT 90
Countertop 110→140 / Basin 90.



LEFT DISPLACEMENT 90
Basin 90 / Countertop 110→140.



RIGHT DISPLACEMENT 90
Countertop 110→140 / Basin 90.



LEFT DISPLACEMENT 90
Basin 90 / Countertop 110→140.



More information and assembly instructions.



BARI WITHOUT PERIMETER RIGHT/LEFT

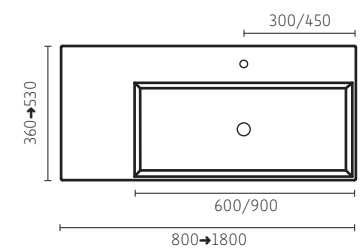
60 - 90 cm

REFERENCE	WIDTH up to	DEPTH	HEIGHT	BASIN 60	BASIN 90
180 OZ0 080 1P0	81	36→53	12	800,63	---
180 OZ0 090 1P0	91	36→53	12	893,51	---
180 OZ0 100 1P0	101	36→53	12	949,23	1.047,69
180 OZ0 110 1P0	111	36→53	12	1.030,97	1.129,42
180 OZ0 120 1P0	121	36→53	12	1.114,56	1.211,16
180 OZ0 140 1P0	141	36→53	12	1.565,96	1.664,41
180 OZ0 160 1P0	161	36→53	12	1.762,86	1.861,32
180 OZ0 180 1P0	181	36→53	12	2.028,50	2.126,95

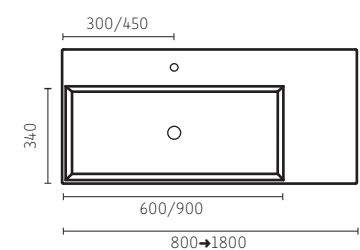
- Z=6 Basin 60 / Z=9 Basin 90.
- P=1 Left basin. / P=2 Right basin.



RIGHT



LEFT

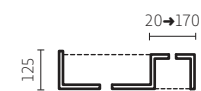


BARI WITH PERIMETER RIGHT/LEFT

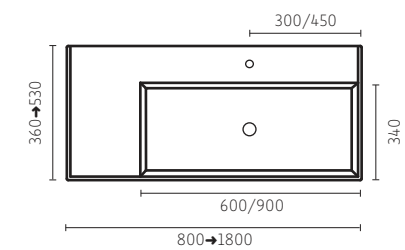
60 - 90 cm

REFERENCE	WIDTH up to	DEPTH	HEIGHT	BASIN 60	BASIN 90
180 OZ0 080 2P0	81	36→53	12	815,49	---
180 OZ0 090 2P0	91	36→53	12	910,22	---
180 OZ0 100 2P0	101	36→53	12	967,81	1.064,40
180 OZ0 110 2P0	111	36→53	12	1.051,40	1.148,00
180 OZ0 120 2P0	121	36→53	12	1.134,99	1.233,45
180 OZ0 140 2P0	141	36→53	12	1.597,54	1.694,13
180 OZ0 160 2P0	161	36→53	12	1.796,30	1.894,75
180 OZ0 180 2P0	181	36→53	12	2.065,65	2.162,25

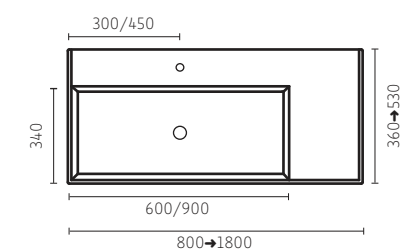
- Z=6 Basin 60 / Z=9 Basin 90.
- P=1 Left basin. / P=2 Right basin.



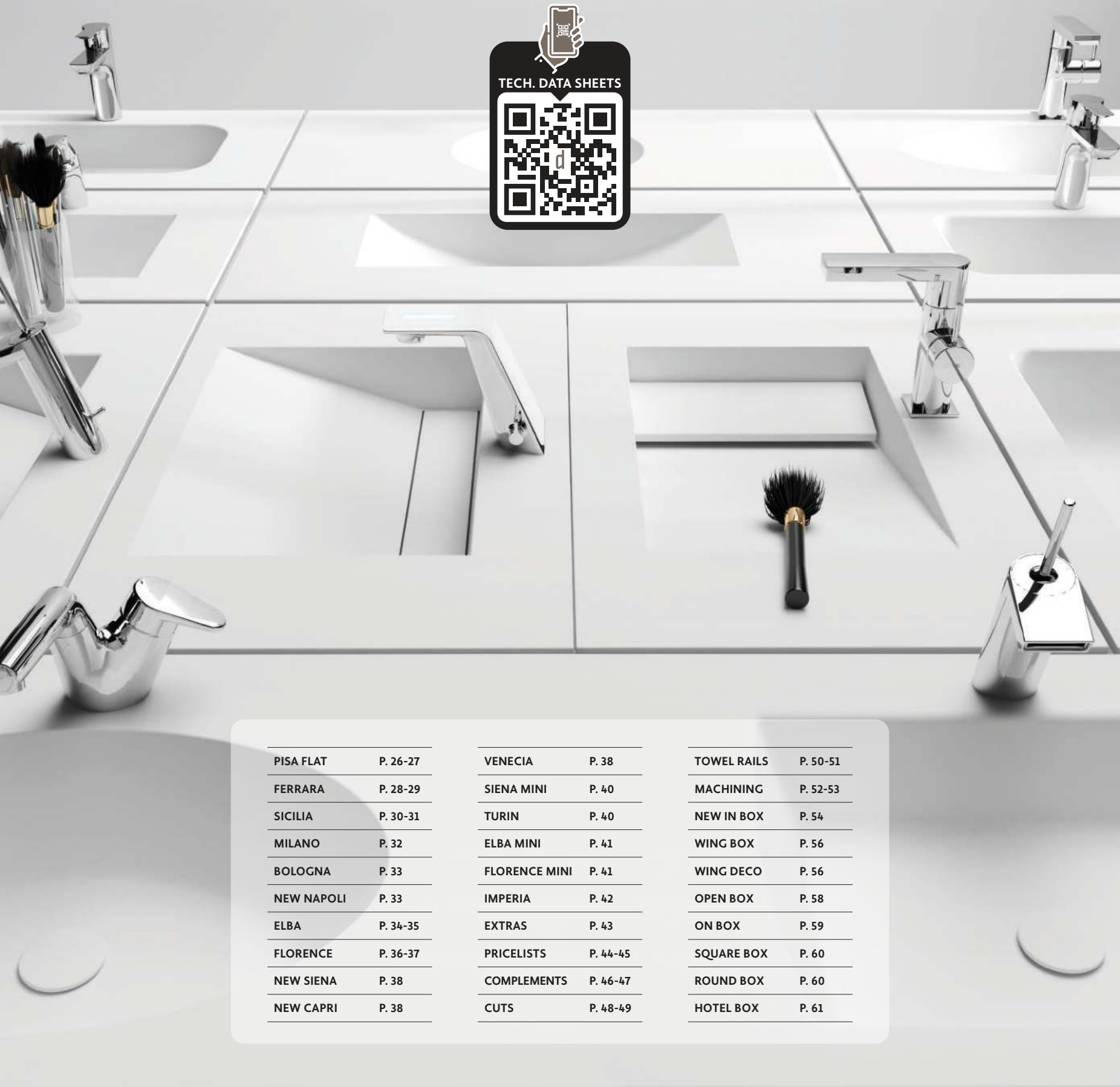
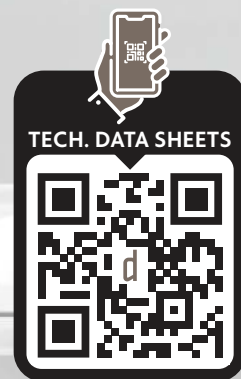
RIGHT



LEFT



COUNTERTOPS WITH BASIN



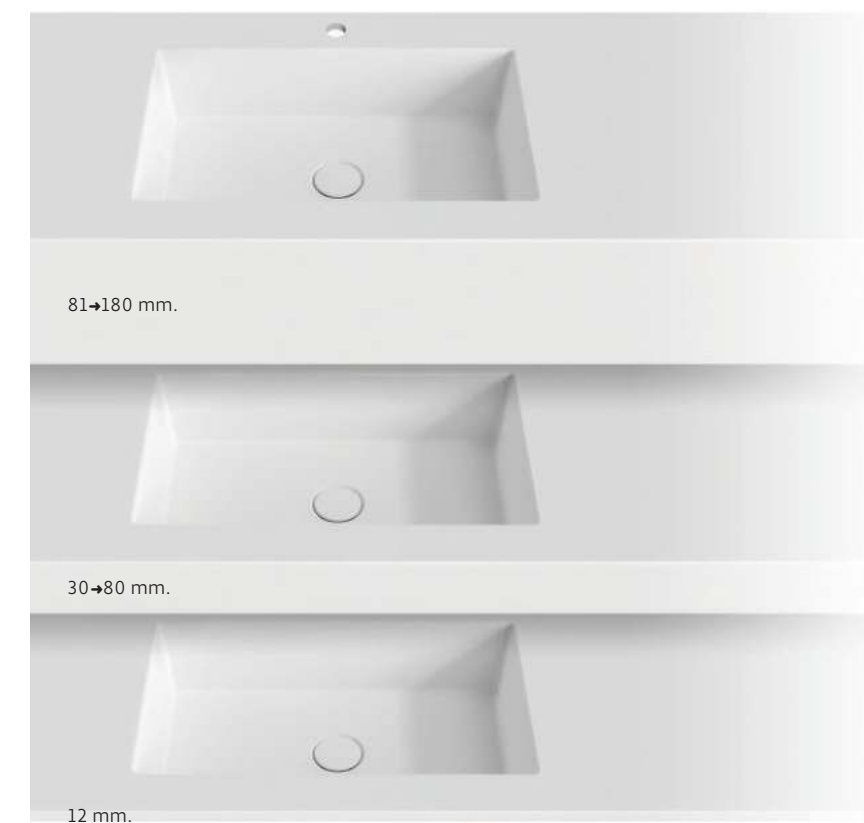
PISA FLAT	P. 26-27
FERRARA	P. 28-29
SICILIA	P. 30-31
MILANO	P. 32
BOLOGNA	P. 33
NEW NAPOLI	P. 33
ELBA	P. 34-35
FLORENCE	P. 36-37
NEW SIENA	P. 38
NEW CAPRI	P. 38

VENECIA	P. 38
SIENA MINI	P. 40
TURIN	P. 40
ELBA MINI	P. 41
FLORENCE MINI	P. 41
IMPERIA	P. 42
EXTRAS	P. 43
PRICELISTS	P. 44-45
COMPLEMENTS	P. 46-47
CUTS	P. 48-49

TOWEL RAILS	P. 50-51
MACHINING	P. 52-53
NEW IN BOX	P. 54
WING BOX	P. 56
WING DECO	P. 56
OPEN BOX	P. 58
ON BOX	P. 59
SQUARE BOX	P. 60
ROUND BOX	P. 60
HOTEL BOX	P. 61

COUNTERTOP CONFIGURATION

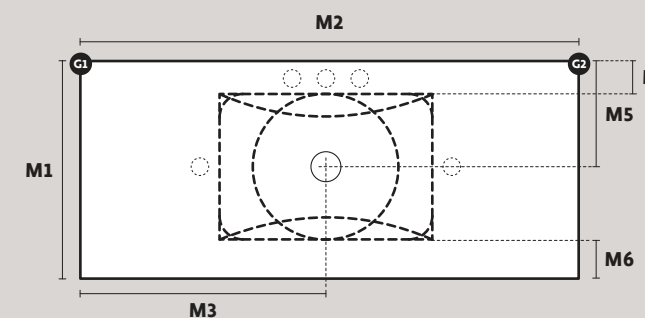
COUNTERTOPS THICKNESS



The Durian® concept allows customising the thickness of the countertop with a starting depth of 12 mm, increasing the perimeter up to the required thickness. These depths are divided into three groups (12 mm, 30→80 mm, 81→180 mm) as indicated in the pricelist on page 44-45 of this catalogue.

NECESSARY DIMENSIONS TO CONFIGURE A VANITY TOP

To correctly configure the customised Durian® countertops, the dimensions, thickness, and location of the basin and the tap holes are necessary. In the case of them not being specified the following will be supplied in default.



ESSENTIAL	M1	Depth of countertop (overhang included).
	M2	Length of countertop (overhang included).
	M3	Distance from the wall to centre the waste exit (necessary only for off-centred basins).
OPTIONAL	M4	Distance from the wall to the start of basin (obligatory when the tap is wall mounted).
	M5	Location of the basin in depth.
	M6	Distance from the basin to the outside front edge.
	G1	Left angle different to 90°.
	G2	Right angle different to 90°.



More information and assembly instructions.



PISA FLAT

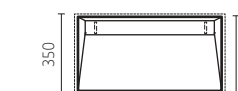
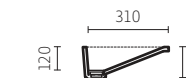
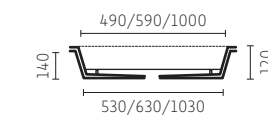


COUNTERTOPS

PISA FLAT

50 cm WITH COVER	Ref.: 168/050
59 cm WITH COVER	Ref.: 168/060
100 cm WITH COVER	Ref.: 168/100

For a 1,2 cm countertop the minimum drawer height required is 26 cm.



There is enough space under the cover to activate the optional clic-clac waste.



INCREASES

	50	59	100
COVER	+ 167,18	+ 167,18	+ 167,18
BASIN	---	---	+ 167,18
2nd TAP HOLE	---	---	+ 55,73



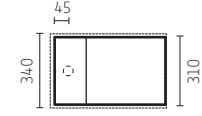
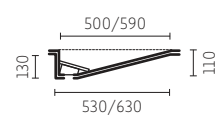


FERRARA

FERRARA

50 cm WITH COVER	Ref.: 169/050
59 cm WITH COVER	Ref.: 169/060

For a 1,2 cm countertop the minimum drawer height required is 24 cm.



INCREASES

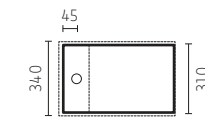
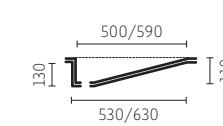
	50	59
COVER	+ 167,18	+ 167,18



FERRARA

50 cm WITHOUT COVER	Ref.: 169/150
59 cm WITHOUT COVER	Ref.: 169/160

For a 1,2 cm countertop the minimum drawer height required is 24 cm.

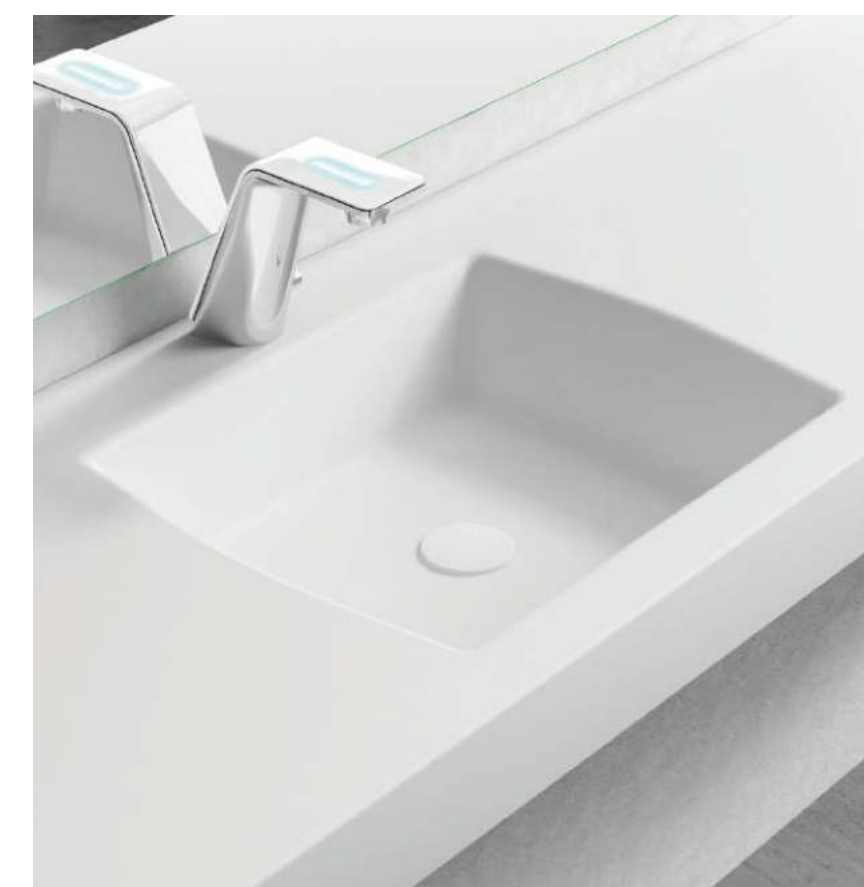
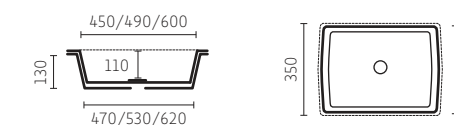




COUNTERTOPS

44 cm	Ref.: 149/045
50 cm	Ref.: 149/050
60 cm	Ref.: 149/060

For a 1.2 cm countertop the minimum drawer height required is 25 cm.



INCREASES

BASIN 60	+ 92,88
----------	---------



MILANO



MILANO

59 cm WITH COVER	Ref.: 142/155
59 cm WITHOUT COVER	Ref.: 142/055

For a 1,2 cm countertop the minimum drawer height required is 28 cm.

WITH COVER	WITHOUT COVER

INCREASES

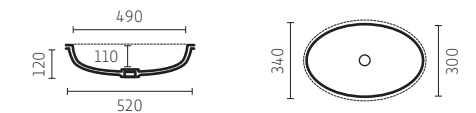
COVER	+ 130,03
-------	----------



BOLOGNA

50 cm Ref.: 165/050

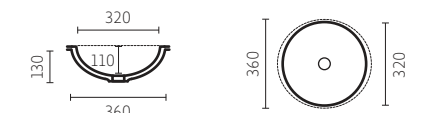
For a 1,2 cm countertop the minimum drawer height required is 24 cm.



NEW NAPOLI

Ø32 cm Ref.: 164/033

For a 1,2 cm countertop the minimum drawer height required is 24 cm.





ELBA

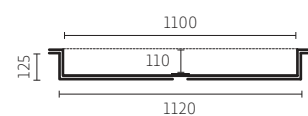
ELBA 110

110 cm Ref.: 161/110

For a 1,2 cm countertop the minimum drawer height required is 24 cm.

INCREASES

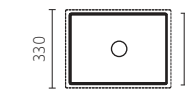
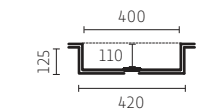
BASIN 110	+ 167,18
2nd TAP HOLE	+ 55,73



ELBA 40

40 cm Ref.: 161/040

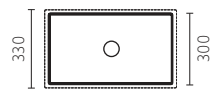
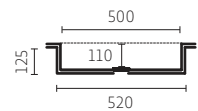
For a 1,2 cm countertop the minimum drawer height required is 24 cm.



ELBA 50

50 cm Ref.: 161/050

For a 1,2 cm countertop the minimum drawer height required is 24 cm.



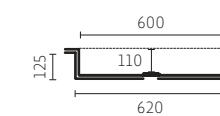
ELBA 60

60 cm Ref.: 161/060

For a 1,2 cm countertop the minimum drawer height required is 24 cm.

INCREASES

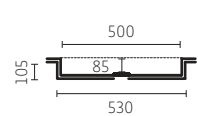
BASIN 60	+ 92,88
----------	---------



ELBA SLIM 50

50 cm Ref.: 163/050

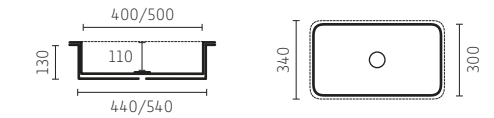
For a 1,2 cm countertop the minimum drawer height required is 22 cm.





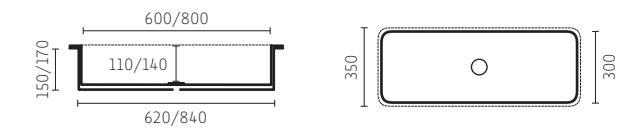
40 cm Ref.: 143/040
50 cm Ref.: 143/050

For a 1,2 cm countertop the minimum drawer height required is 24 cm.



60 cm Ref.: 143/060
80 cm Ref.: 143/080

For a 1,2 cm countertop the minimum drawer height required is 28 cm.



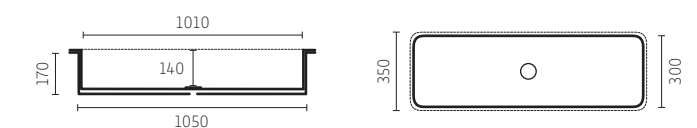
INCREASES

BASIN 60	+ 92,88
BASIN 80	+ 130,03



100 cm Ref.: 143/100

For a 1,2 cm countertop the minimum drawer height required is 28 cm.



INCREASES

BASIN 100	+ 167,18
2nd TAP HOLE	+ 55,73





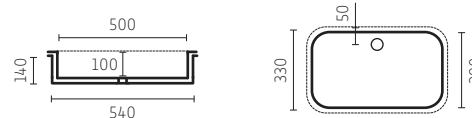
45 cm Ref.: 162/045

For a 1,2 cm countertop the minimum drawer height required is 25 cm.



50 cm Ref.: 103/050

For a 1,2 cm countertop the minimum drawer height required is 24 cm.



VENECIA

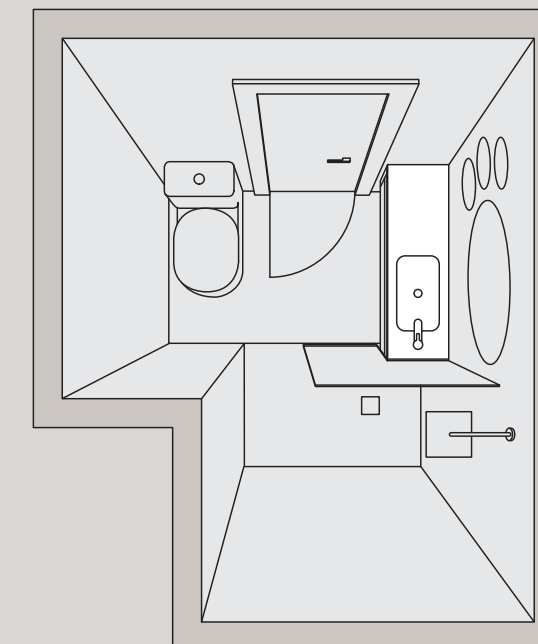
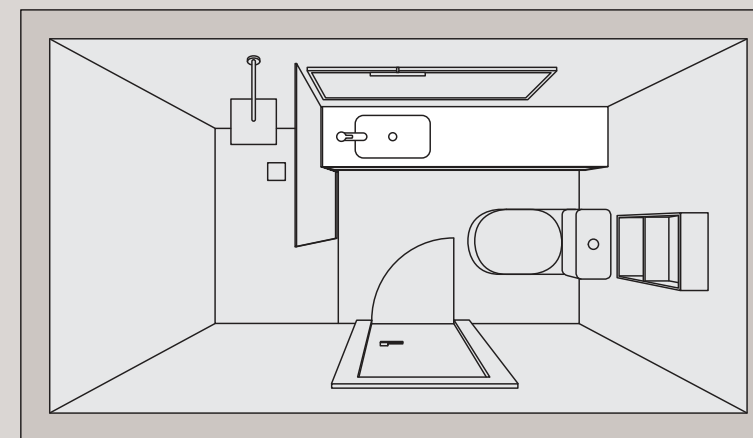


59 cm Ref.: 141/060

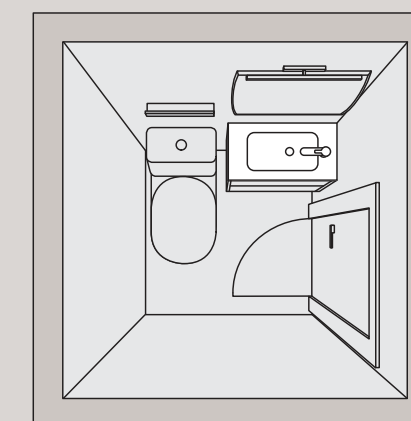
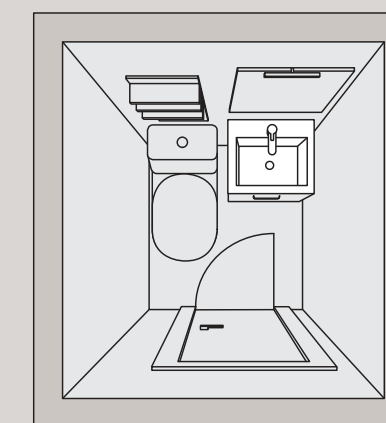
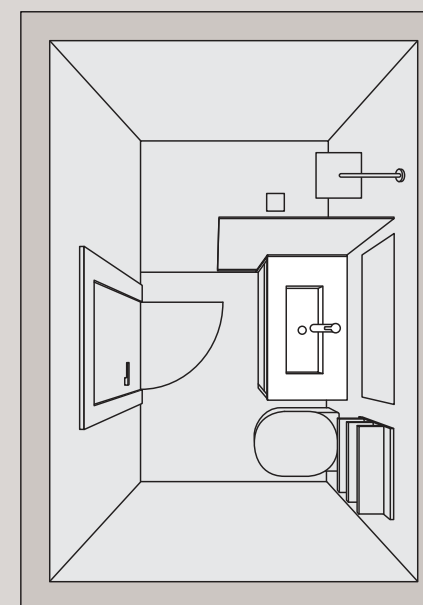
For a 1,2 cm countertop the minimum drawer height required is 24 cm.



BASINS FOR REDUCED SPACES



BECAUSE WE MANUFACTURE BASINS WITH REDUCED DEPTHS WE CAN ADAPT TO ANY SIZE OR SPACE, SO YOU CAN ADAPT FOR SMALL BATHROOMS OR OVERCOME ARCHITECTURAL DIFFICULTIES.





SIENA MINI

48 cm Ref.: 102/250

For a 1,2 cm countertop the minimum drawer height required is 24 cm.



TURIN

33 cm Ref.: 147/030

For a 1,2 cm countertop the minimum drawer height required is 24 cm.



ELBA MINI

40 cm Ref.: 179/040

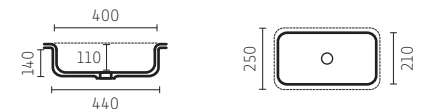
For a 1,2 cm countertop the minimum drawer height required is 26 cm.



FLORENCE MINI

40 cm Ref.: 143/023

For a 1,2 cm countertop the minimum drawer height required is 26 cm.





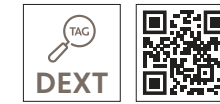
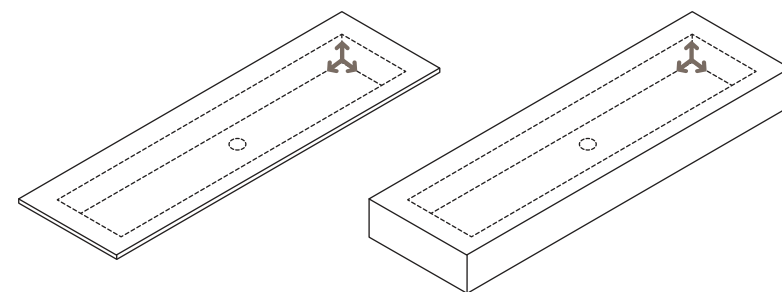
TAILOR MADE BASIN



IMPERIA BASIN

REFERENCE	DIMENSION up to	HEIGHT	RRP
181	90x35	5→15	352,94
182	150x35	5→15	538,70

• See technical data sheet.

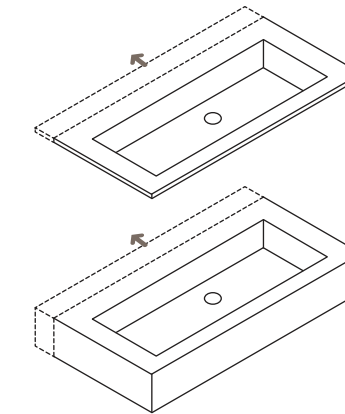


COUNTERTOP EXTRAS



XL DEPTHS

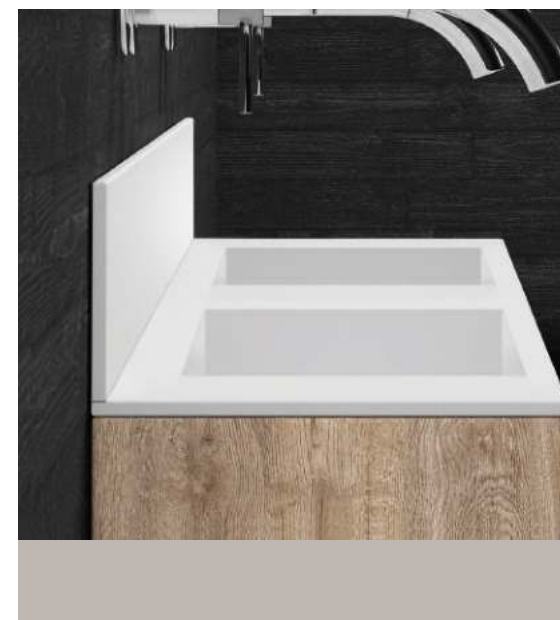
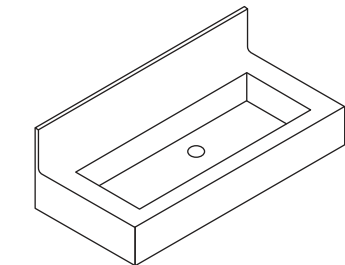
REFERENCE	DEPTH	RRP
	53→65	+20%



HALF-ROUND UPSTAND

REFERENCE	DESCRIPTION	HEIGHT up to 6	HEIGHT up to 15	HEIGHT up to 35
503 XXX YYY 120	Joined to the vanity top	278,64	334,37	390,10
901 100 000 200	Tap hole machining	---	---	167,18

• Minimum cost of 1 metre.

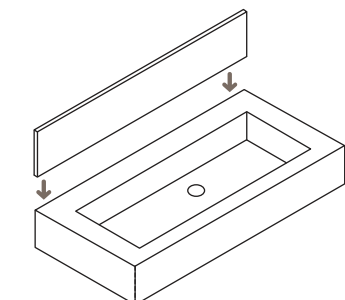


SQUARE UPSTAND

REFERENCE	DESCRIPTION	HEIGHT up to 6	HEIGHT up to 15	HEIGHT up to 35
503 XXX YYY 110	Not joined to the countert.	111,46	148,61	260,06
901 100 000 200	Tap hole machining	---	---	167,18

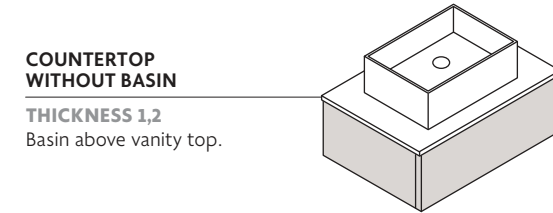
• Minimum cost of 1 metre.

• Delivery of additional seams without tops will have a surcharge of £ 55,73

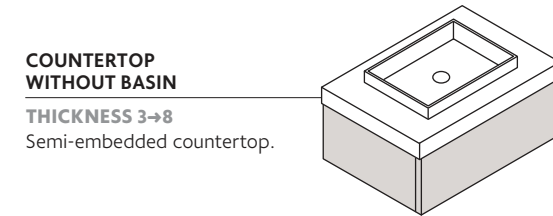




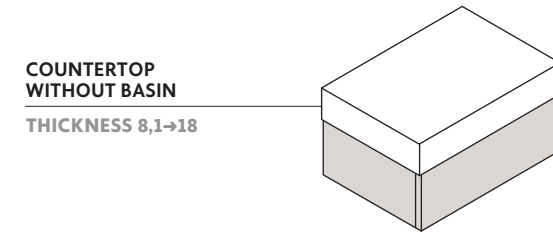
COUNTERTOP WITHOUT BASIN



COUNTERTOP WITHOUT BASIN
THICKNESS 1,2
Basin above vanity top.



COUNTERTOP WITHOUT BASIN
THICKNESS 3-8
Semi-embedded countertop.



COUNTERTOP WITHOUT BASIN
THICKNESS 8,1-18



COUNTERTOP WITH DOUBLE BASIN



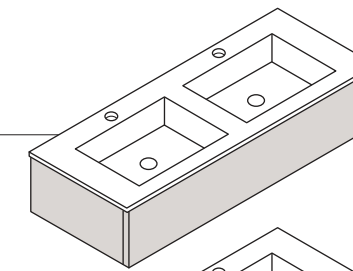
COUNTERTOP WITH BASIN

COUNTERTOP WITHOUT BASIN

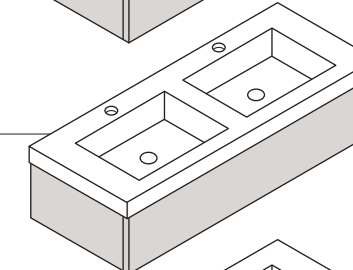
REFERENCE	WIDTH up to	DEPTH up to	THICKNESS 1,2	THICKNESS 3-8	THICKNESS 8,1-18
501 000 041 Y00	41	53	239,63	289,79	317,65
501 000 051 Y00	51	53	261,92	317,65	349,23
501 000 061 Y00	61	53	287,93	352,94	390,10
501 000 071 Y00	71	53	312,08	378,95	417,96
501 000 081 Y00	81	53	338,08	399,38	438,39
501 000 091 Y00	91	53	365,95	458,83	507,12
501 000 101 Y00	101	53	395,67	466,26	514,56
501 000 111 Y00	111	53	421,68	499,69	547,99
501 000 121 Y00	121	53	455,11	538,70	588,86
501 000 131 Y00	131	53	482,98	587,00	646,44
501 000 141 Y00	141	53	512,70	635,30	698,46
501 000 151 Y00	151	53	547,99	665,02	733,75
501 000 161 Y00	161	53	577,71	694,74	763,47
501 000 171 Y00	171	53	611,15	722,61	793,20
501 000 181 Y00	181	53	689,17	808,06	889,79
501 000 191 Y00	191	53	726,32	843,35	926,94
501 000 201 Y00	201	53	761,62	873,07	964,09
501 000 211 Y00	211	53	796,91	926,94	1.017,96
501 000 221 Y00	221	53	828,49	965,95	1.062,55

- Y=0 Thickness 1,2 cm / Y=1 Thickness 3-8 cm / Y=2 Thickness 8,1-18 cm.
- The price includes the waste and tap holes for Durian® basins.
- For basins by other manufactures £ 130,03 /embedding.
- For other widths consult price and availability.

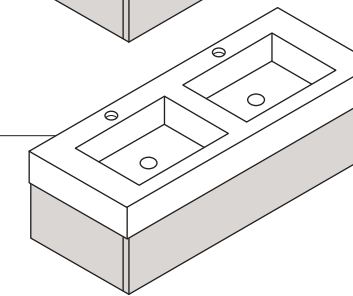
COUNTERTOP WITH DOUBLE BASIN
THICKNESS 1,2



COUNTERTOP WITH DOUBLE BASIN
THICKNESS 3-8



COUNTERTOP WITH DOUBLE BASIN
THICKNESS 8,1-18



DOUBLE BASIN

REFERENCE	WIDTH up to	DEPTH up to	THICKNESS 1,2	THICKNESS 3-8	THICKNESS 8,1-18
SSS MMM 101 Y20	101	53	938,09	1.069,98	1.153,57
SSS MMM 111 Y20	111	53	1.001,25	1.142,42	1.235,30
SSS MMM 121 Y20	121	53	1.068,12	1.218,59	1.317,04
SSS MMM 131 Y20	131	53	1.207,44	1.421,06	1.538,09
SSS MMM 141 Y20	141	53	1.350,48	1.621,68	1.759,15
SSS MMM 151 Y20	151	53	1.441,50	1.708,99	1.855,74
SSS MMM 161 Y20	161	53	1.534,38	1.794,44	1.952,34
SSS MMM 171 Y20	171	53	1.649,55	1.913,33	2.084,23
SSS MMM 181 Y20	181	53	1.764,72	2.032,21	2.212,40
SSS MMM 191 Y20	191	53	1.861,32	2.123,24	2.312,71
SSS MMM 201 Y20	201	53	1.956,05	2.214,26	2.413,02
SSS MMM 211 Y20	211	53	2.182,68	2.492,90	2.719,53
SSS MMM 221 Y20	221	53	2.489,18	2.864,42	3.117,05

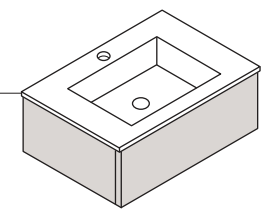
- Y=0 Thickness 1,2 cm / Y=1 Thickness 3-8 cm / Y=2 Thickness 8,1-18 cm.
- For other widths consult price and availability.

EXTRA BASIN

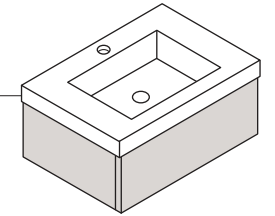
REFERENCE	RRP
901 100 000 076	222,91

- The location of the basin is fully customisable.

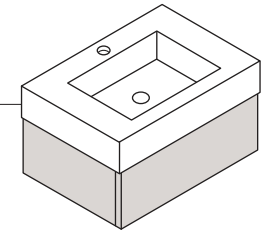
COUNTERTOP WITH BASIN
THICKNESS 1,2



COUNTERTOP WITH BASIN
THICKNESS 3-8



COUNTERTOP WITH BASIN
THICKNESS 8,1-18



COUNTERTOP WITH BASIN

REFERENCE	WIDTH up to	DEPTH up to	THICKNESS 1,2	THICKNESS 3-8	THICKNESS 8,1-18
SSS MMM 061 YP0	61	53	490,41	605,58	665,02
SSS MMM 071 YP0	71	53	553,56	672,45	743,04
SSS MMM 081 YP0	81	53	605,58	713,32	783,91
SSS MMM 091 YP0	91	53	639,01	795,05	874,93
SSS MMM 101 YP0	101	53	715,18	847,07	930,66
SSS MMM 111 YP0	111	53	778,33	919,51	1.012,39
SSS MMM 121 YP0	121	53	845,21	995,67	1.094,13
SSS MMM 131 YP0	131	53	984,53	1.198,15	1.315,18
SSS MMM 141 YP0	141	53	1.127,56	1.398,77	1.536,24
SSS MMM 151 YP0	151	53	1.218,59	1.486,08	1.632,83
SSS MMM 161 YP0	161	53	1.311,47	1.571,53	1.729,43
SSS MMM 171 YP0	171	53	1.426,64	1.690,42	1.861,32
SSS MMM 181 YP0	181	53	1.541,81	1.809,30	1.989,49
SSS MMM 191 YP0	191	53	1.638,40	1.900,32	2.089,80
SSS MMM 201 YP0	201	53	1.733,14	1.991,35	2.190,11
SSS MMM 211 YP0	211	53	1.959,77	2.269,99	2.496,61
SSS MMM 221 YP0	221	53	2.266,27	2.641,51	2.894,14

- SSS=Basin reference.
- MMM=Basin measure.
- Y=0 Thickness 1,2 cm / Y=1 Thickness 3-8 cm / Y=2 Thickness 8,1-18 cm.
- P=0 Lavabo centrado / P=1 Lavabo desplazado.
- Waste and supports not included.





DRY SYPHON

REFERENCE	COVER	RRP
P38 ONC	Chrome	139,32
P38 OND	Durian®	250,78

- Includes clic-clac waste.
- Valid for all Durian® basins except for MILANO, SICILIA 60, FLORENCE 60/80/100 which need 5 cm minimum of skirting.
- The drawer of the furniture must be higher than or equal to 32 cm.
- Valid for all basins on Countertops.



SYPHON SPACE

REFERENCE	COVER	RRP
P36 ONC	Chrome	139,32
P36 OND	Durian®	250,78

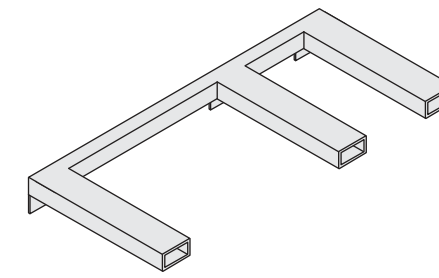
- Includes clic-clac waste.
- Valid for all Durian® basins except for MILANO, SICILIA 60, FLORENCE 60/80/100 which need 5 cm minimum of skirting.
- The drawer of the furniture must be higher than or equal to 32 cm.
- Valid for all basins on Countertops.



STANDARD SYPHON

REFERENCE	FINISHING	RRP
P37 ONC	Chrome	102,17
P37 ONN	Black	120,74

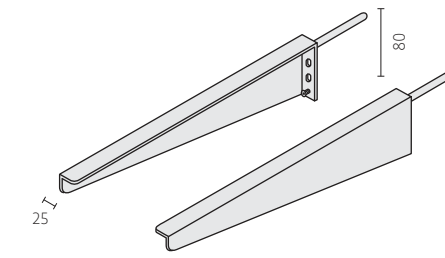
- Valid for all Durian® basins except for MILANO, SICILIA 60, FLORENCE 60/80/100 which need 5 cm minimum of skirting.
- The drawer of the furniture must be higher than or equal to 32 cm.
- Valid for all basins on Countertops.



U-SHAPED SUPPORT (CUSTOM MADE)

REFERENCE	DIMENSION	ARMS	RRP
901 100 100 014	≤100	2	278,64
901 100 140 014	101→140	3	417,96
901 100 180 014	141→180	4	547,99
901 100 210 014	181→210	5	640,87

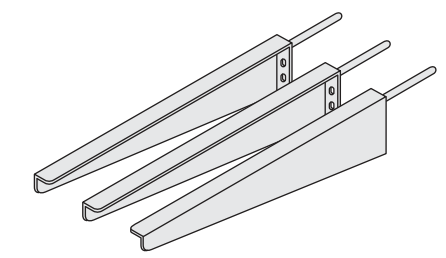
- Galvanised steel.
- Profile dimension 4x2 cm.



SLIM ANGLE (2 UNITS)

REFERENCE	DIMENSION	RRP
P07 ONN 026	26x2,5x80h.	105,88
P07 ONN 041	41x2,5x80h.	126,32

- Galvanised steel.



SLIM ANGLE (3 UNITS)

REFERENCE	DIMENSION	RRP
P12 ONN 026	26x2,5x80h.	144,89
P12 ONN 041	41x2,5x80h.	165,33

- Galvanised steel.

COUNTERTOP COMPLEMENTS



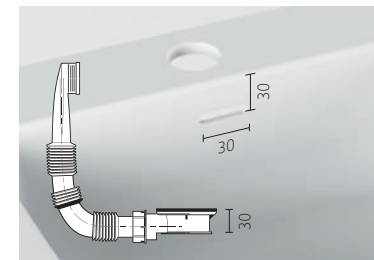
CLIC-CLAC WASTE

REFERENCE	FINISHING	RRP
P31	Chrome	65,02
P59	Black	65,02



DURIAN® CLIC-CLAC WASTE

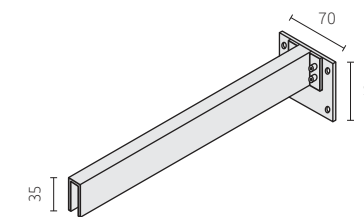
REFERENCE	FINISHING	RRP
901 100 000 024	Durian®	176,47



OVERFLOW

REFERENCE	WIDTH	RRP
901 100 000 014	3	148,61

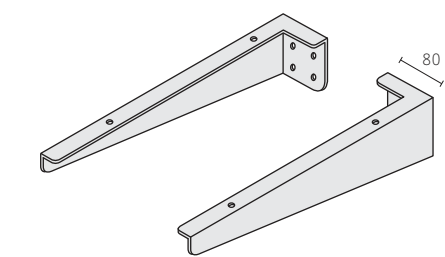
- Not valid for VENECIA, NEW NAPOLES and BOLOGNA models.



NEW HIDDEN SUPPORT (1 UNIT)

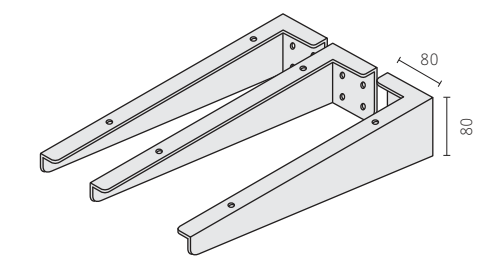
REFERENCE	DIMENSION	RRP
P06 ONN 030	30x7x6h.	72,45
P06 ONN 040	40x7x6h.	102,17

- Colour White.



STAINLESS STEEL ANGLE (2 UNITS)

REFERENCE	DIMENSION	RRP
P16 ONN 026	26x2,5x8h.	148,61
P16 ONN 041	41x2,5x8h.	176,47



STAINLESS STEEL ANGLE (3 UNITS)

REFERENCE	DIMENSION	RRP
P17 ONN 026	26x2,5x8h.	232,20
P17 ONN 041	41x2,5x8h.	306,50



DISPENSER

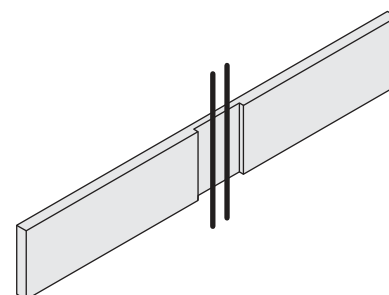
REFERENCE	CAPACITY	RRP
901 100 000 015	300 mL.	126,32

- Includes countertop machining.
- Default location at 12 cm on the right of tap.



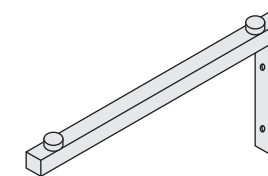
INTERIOR POLISHING

REFERENCE	RRP
901 100 000 028	+20%



CABLE ROUTING SEAM

REFERENCE	HEIGHT up to	RRP
901 100 000 028	15	167,18



VISIBLE CHROME SUP. (2 UNITS)

REFERENCE	DIMENSION	RRP
P05 ONN 35	30x15	176,47
P05 ONN 41	41x15	195,05

- Chrome.



ADJUSTABLE PLUG

REFERENCE	DIMENSION	RRP
S89	Ø85x100h.	204,34



INDUCTION CHARGER

REFERENCE	DIMENSION	RRP
S61	Ø64x11h.	222,91

- Indicate hidden/surface and position of countertop.
- Hidden only for countertop without basin.

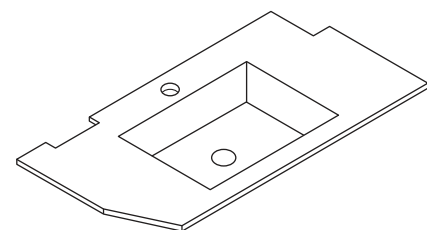




STRAIGHT

REFERENCE	DESCRIPTION	RRP
901 100 000 007	L shaped cut	111,46
901 100 000 002	U shaped cut	111,46
901 100 000 003	Diagonal cut	111,46

• Valid cuts for countertops of 1,2 cm thickness.



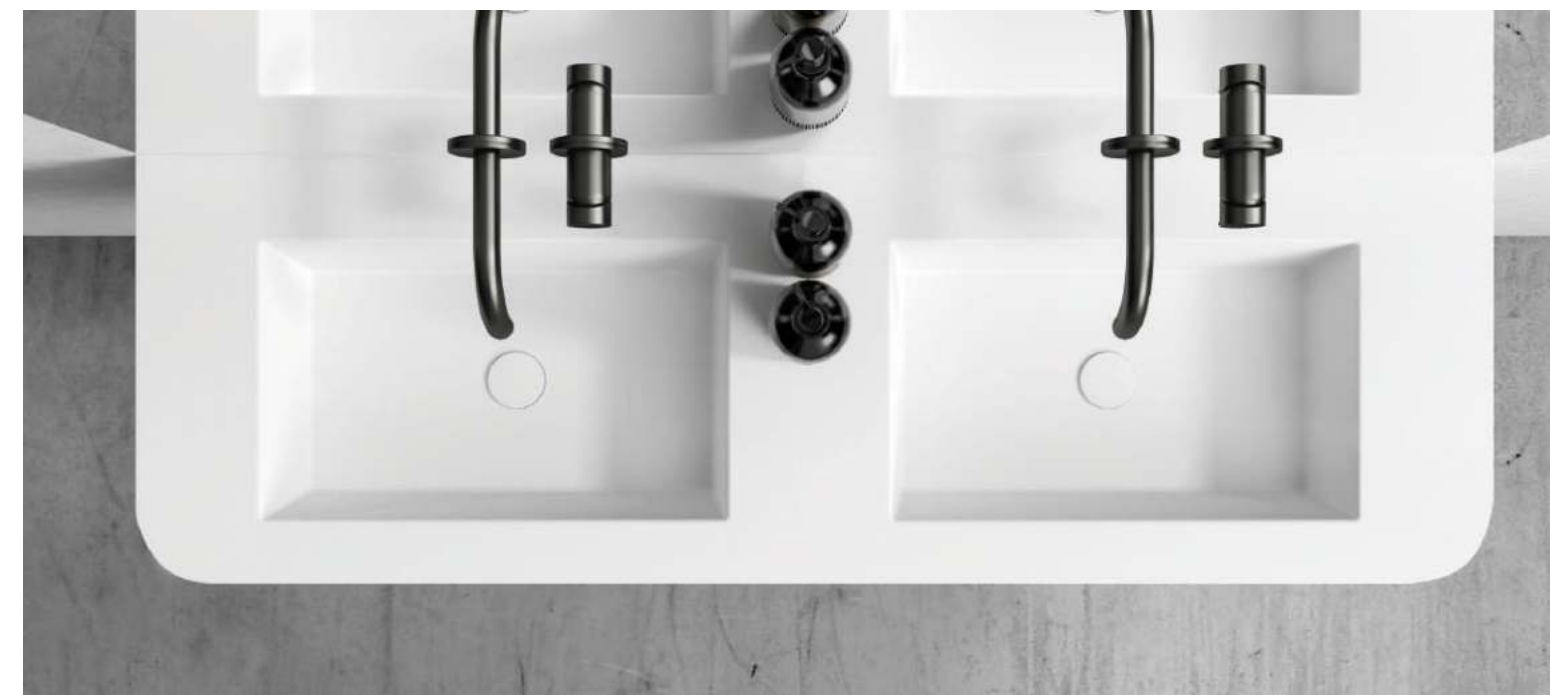
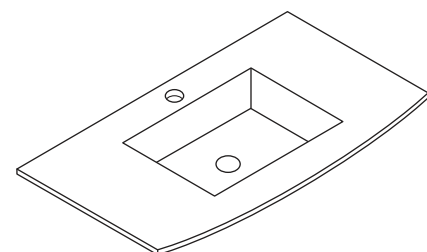
COUNTERTOP CUTS



OVAL CURVE

REFERENCE	DESCRIPTION	RRP
901 100 000 005	Oval curve cut	167,18

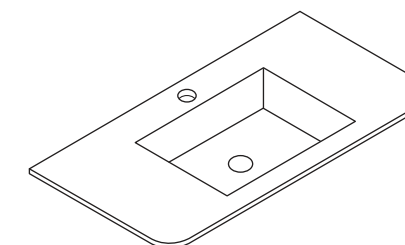
• Valid cuts for countertops of 1,2 cm thickness.



ROUNDED CORNER

REFERENCE	DESCRIPTION	RRP
901 100 000 004	Rounded cut	55,73

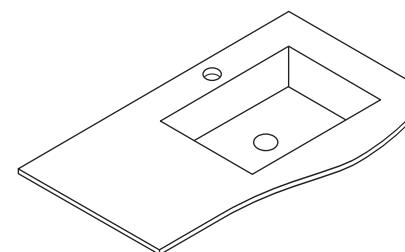
• Valid cuts for countertops of 1,2 cm thickness.



WAVE CURVE

REFERENCE	DESCRIPTION	RRP
901 100 000 008	Wave curve cut	278,64

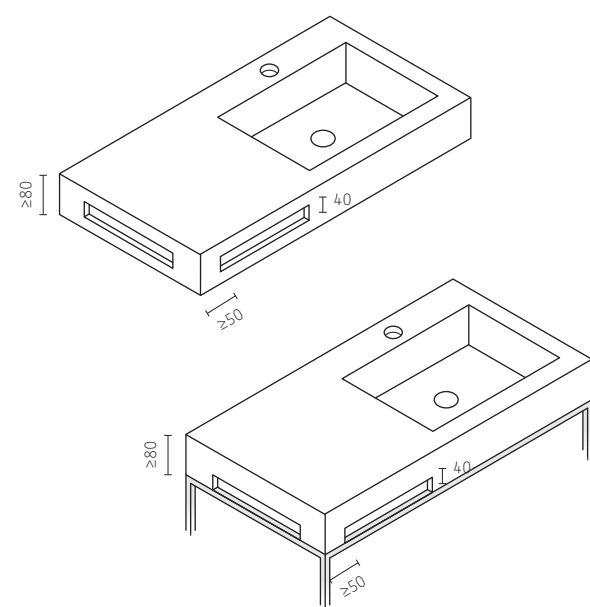
• Valid cuts for countertops of 1,2 cm thickness.





SIDE/FRONT TOWEL RAIL MACHINING

REFERENCE	DESCRIPTION	WIDTH up to 30	WIDTH up to 50	WIDTH up to 70
901 100 000 031	Front machining	130,03	148,61	167,18
901 100 000 033	Lateral left machining	130,03	148,61	167,18
901 100 000 034	Lateral right machining	130,03	148,61	167,18



STRUCTURAL TOWEL RAIL MACHINING

REFERENCE	DESCRIPTION	WIDTH up to 30	WIDTH up to 50	WIDTH up to 80
901 100 000 029	Machining	130,03	148,61	167,18

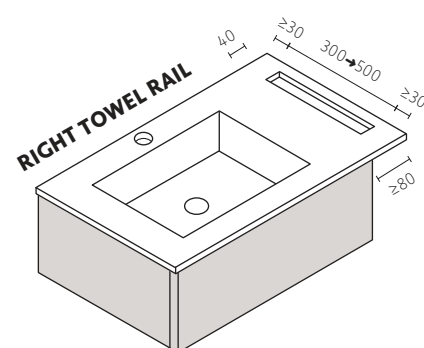
COUNTERTOP TOWEL RAILS



UPPER TOWEL RAIL MACHINING

REFERENCE	DESCRIPTION	WIDTH 30-50
901 100 000 035	Left machining	167,18
901 100 000 037	Right machining	167,18

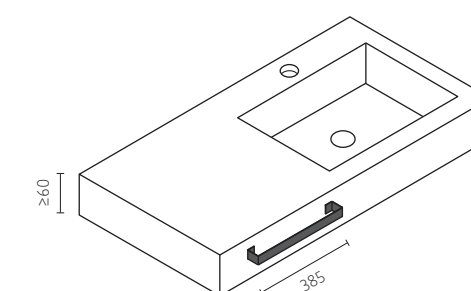
• Minimum worktop flight for towel rail: 8 cm (2+4+2).



VERSO MACHINING + TOWEL RAIL

REFERENCE	WIDTH	RRP
901 100 000 096	38,5	139,32

- Indicate front, centred, or displaced position (right/left).
- Indicate side position (right/left).
- Minimum skirt height 6 cm.
- Supplied separately.

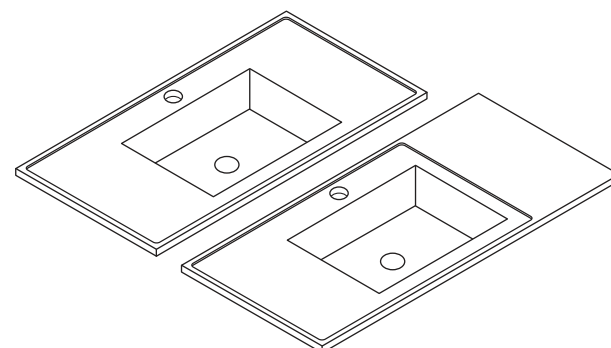




WET AREA LINE CONTOUR

REFERENCE	DIMENSION up to	RRP
901 100 000 042	100	222,91

- 1 cm width frame.
- Minimum lengths of 1 meter.
- Price per linear meter



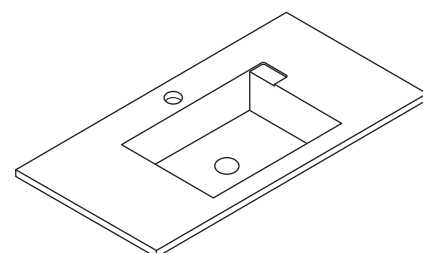
COUNTERTOP MACHINING



SOAP TRAY LINE CONTOUR

REFERENCE	DIMENSION	RRP
901 100 000 040	8x10	111,46

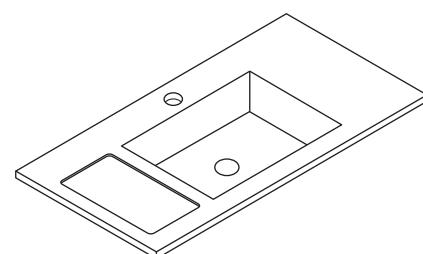
- Price per linear meter.



AMENITIES LINE CONTOUR

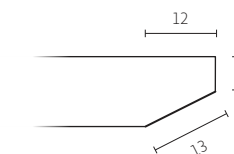
REFERENCE	DIMENSION up to	RRP
901 100 000 041	20x40	148,61

- Price per linear meter.



SLIM LINE 6 mm.

REFERENCE	DESCRIPTION	WIDTH up to 120	WIDTH 121→220
901 100 000 081	Front machining 6 mm.	148,61	222,91
901 100 000 082	Left machining 6 mm.	74,30	---
901 100 000 083	Right machining 6 mm.	74,30	---

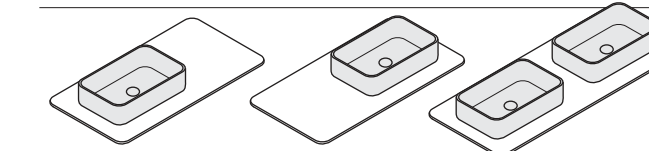


COVER ABOVE COUNTERTOP

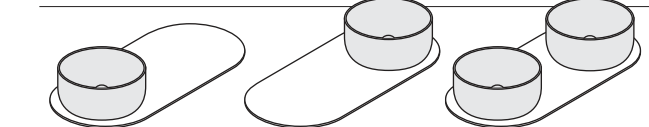
REFERENCE	DESCRIPTION	RRP
901 100 000 056	ROMA machining	148,61
901 100 000 057	NEW POMPEI machining	222,91

- Height 1,2 cm. Minimun depth 50 cm.

ROMA COVER



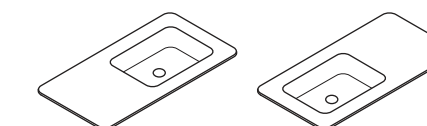
NEW POMPEI COVER



COUNTERTOP MACHINING

REFERENCE	DESCRIPTION	RRP
901 100 000 058	radio 20 machining	222,91

- Altura 1,2 cm. Fondo mínimo 50 cm.



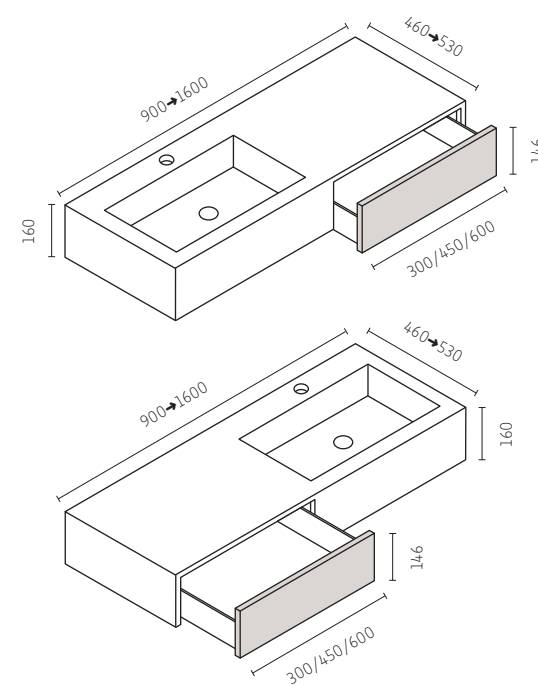


COUNTERTOP STORAGE

NEW IN BOX

REFERENCE	DIMENSION	DURIAN	SELECT MATE	METALL.
901 100 030 072	30x35x14h.	575,86	750,47	824,77
901 100 045 072	45x35x14h.	653,88	828,49	910,22
901 100 060 072	60x35x14h.	711,46	887,93	973,38

- Height of skirting always 16 cm.
- To be added to the price of Countertop with skirting depth of 8→18 cm.
- Lower opening.
- Drawer front available in White Durian®, 30 colours Select Matt and 2 metallised colours.



METALLISED

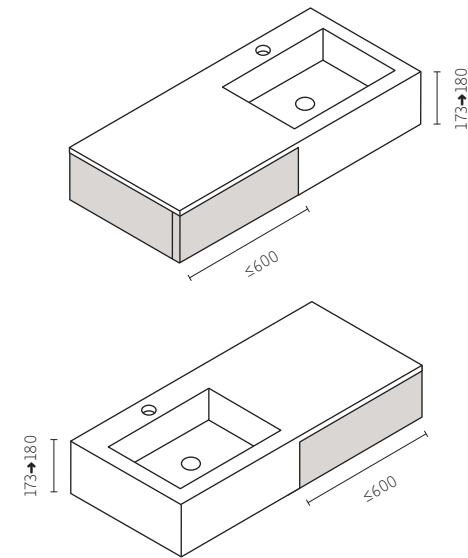




WING BOX

REFERENCE	DIMENSION up to	RRP
901 100 000 073	60	176,47

• Add to tariff with skirting.



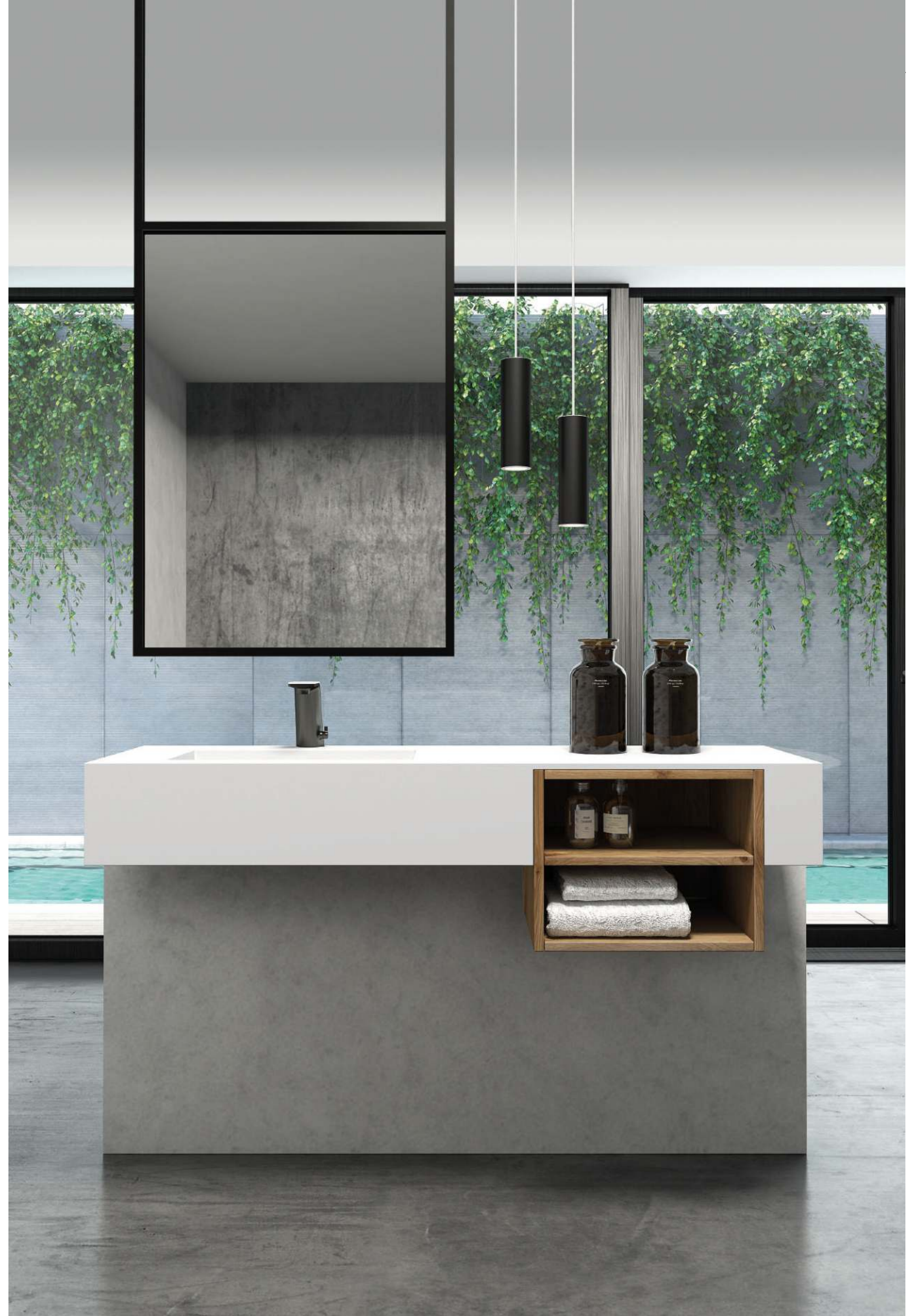
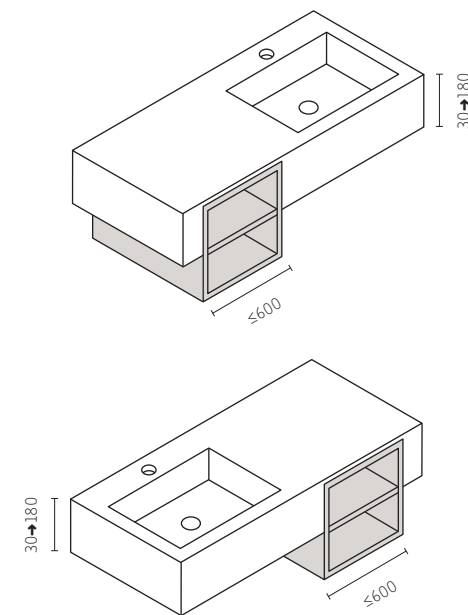
COUNTERTOP STORAGE



WING DECO

REFERENCE	DIMENSION up to	RRP
901 100 000 074	60	232,20

• Add to tariff with skirting.





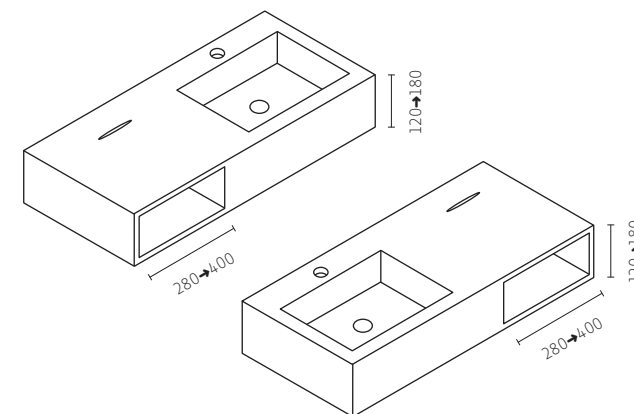
COUNTERTOP STORAGE



OPEN BOX

REFERENCE	DIMENSION	RRP
901 100 000 070	28→40	278,64
901 100 000 105	Tissue machining	111,46

- Minimum hole size for tissue machining 28x12h. cm.
- Slot dimension 15x2,5 cm.



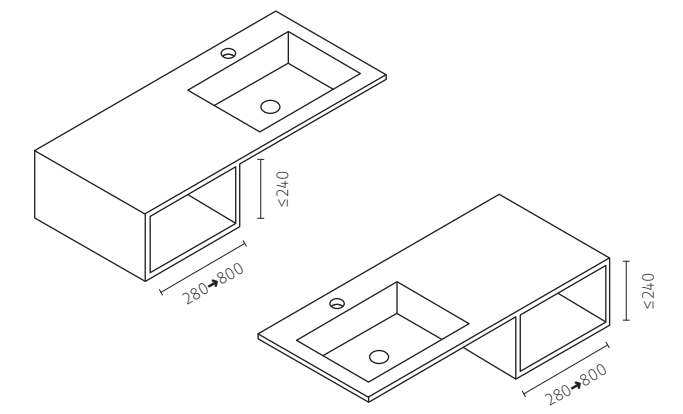
COUNTERTOPS

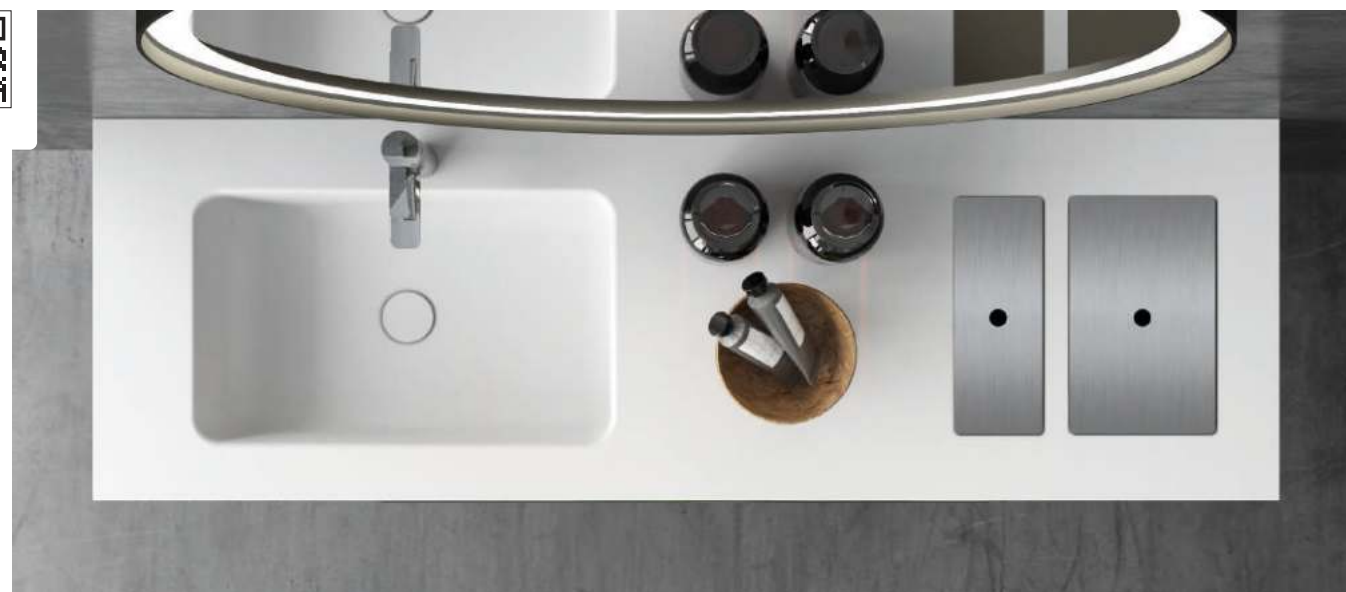


ON BOX

REFERENCE	WIDTH up to	HEIGHT up to 18	HEIGHT up to 24
901 100 000 071	60	325,08	464,40
901 100 000 071	80	417,96	547,99

- Not valid for suspended installation, installation always on furniture.

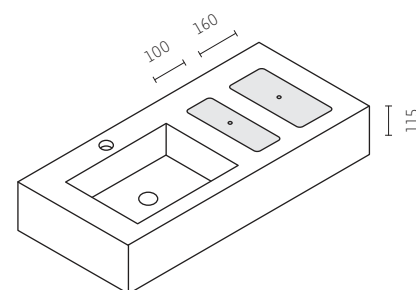




SQUARE BOX

REFERENCE	FINISHING	WIDTH 10	WIDTH 16
901 100 000 093	Stainless steel	306,50	343,66

- Minimum space between boxes 5 cm.
- Supplied centre in the basin position.



COUNTERTOP STORAGE



ROUND BOX DRYER

REFERENCE	FINISHING	RRP
901 100 000 095	Stainless steel	176,47

- Diameter 12,5 cm.
- Open hole, not including container.

ROUND BOX

REFERENCE	FINISHING	RRP
901 100 000 094	Stainless steel	325,08

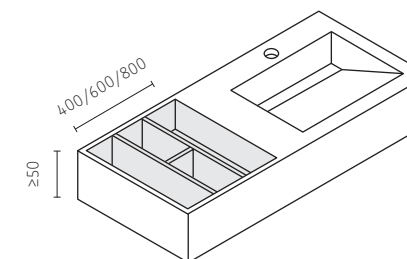
- Diameter 12,5 cm.
- Don'tainer including, 10 cm depth.



HOTEL BOX

REFERENCE	DESCRIPTION	WIDTH up to 40	WIDTH up to 60	WIDTH up to 80
901 100 000 019	Container open	222,91	287,93	362,23
901 100 000 020	H separators	139,32	---	---

- Location always on the left or right side.





**ON
CONCEPT**

ON
CONCEPT



PERIMETER COVER

The perimeter cover is a base that is incorporated to the bottom of the basin to conceal the waste. This cover can be made in different PIVSTONE® finishes as well as Durian® classic and this way combining it with the PIVSTONE® countertops and KYRYA® furniture. Always with open waste.



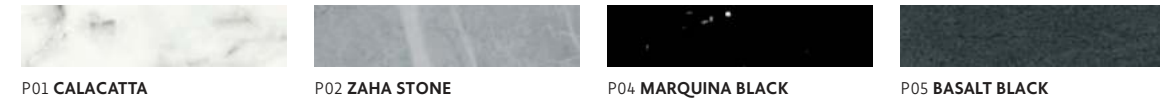
BASIN ON COUNTERTOP
Durian® perimeter cover.

BASIN ON COUNTERTOP
Pivstone® perimeter cover.

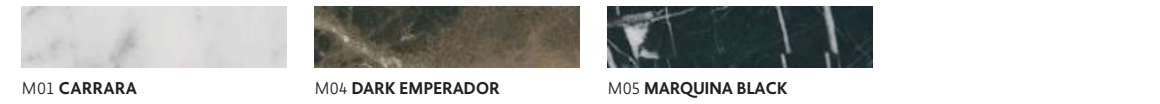
SEMI-EMBEDDED BASIN
Durian® perimeter cover.

SEMI-EMBEDDED BASIN
Pivstone® perimeter cover.

PORCELAIN



PIUTECH MARBLE

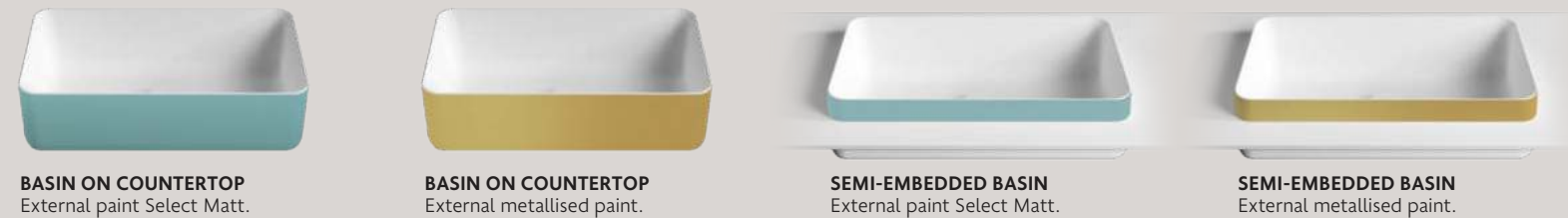


PIUTECH COMPACT



OUTER PAINT

Surface finish of the basin exterior. There are different colours to combine with KYRYA® furniture.



BASIN ON COUNTERTOP
External paint Select Matt.

BASIN ON COUNTERTOP
External metallised paint.

SEMI-EMBEDDED BASIN
External paint Select Matt.

SEMI-EMBEDDED BASIN
External metallised paint.

SELECT MATT LACQUER

Page 119.



METALLISED



	ROMA	GENOVA	VERONA	NEW POMPEI	NEW TRENTO	PALERMO
ABOVE COUNTERTOP	DURIAN®					
	OUTER PAINT					
	PERIMETER COVER					

	ROMA	GENOVA	VERONA	NEW POMPEI	NEW TRENTO	PALERMO
SEMI EMBEDDED	DURIAN®					
	OUTER PAINT					
	PERIMETER COVER					

	ROMA	GENOVA	VERONA	NEW POMPEI	NEW TRENTO	PALERMO
XL HEIGHT	DURIAN®	X	X	X	X	
	OUTER PAINT	X	X	X	X	X
	PERIMETER COVER	X	X	X	X	



ROMA



durian

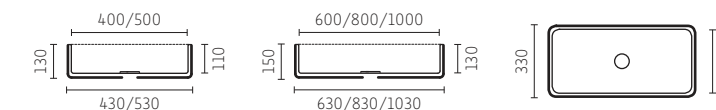
ON CONCEPT



ROMA
ABOVE COUNTERTOP
/ 43 - 53 - 63 - 83 - 103 cm /

Ref.: 146

BASIN	DURIAN			PERIMETER COVER		
	DURIAN	SELECT MATE	METALL	DURIAN	MARBLE COMPACT	PORCELA.
43x33x13h.	613,01	915,80	1.006,82	36x25,5	144,89	165,33 182,04
53x33x13h.	663,16	956,66	1.053,26	46x25,5	193,19	185,76 193,19
63x33x15h.	704,03	1.023,54	1.125,71	56x25,5	241,49	230,34 241,49
83x33x15h.	819,20	1.149,85	1.265,03	75x25,5	321,36	352,94 321,36
103x33x15h.	952,95	1.279,89	1.408,06	96x25,5	401,24	384,52 401,24



ROMA
SEMI EMBEDDED
/ 43 - 53 cm /

Ref.: 176

BASIN	DURIAN			PERIMETER COVER		
	DURIAN	SELECT MATE	METALL	DURIAN	MARBLE COMPACT	PORCELA.
43x33x13h.	613,01	915,80	1.006,82	36x25,5	144,89	165,33 182,04
53x33x13h.	663,16	956,66	1.053,26	46x25,5	193,19	185,76 193,19

• Perimeter indented for embedding 0,5 cm.



More information and assembly instructions.

GENOVA





durian

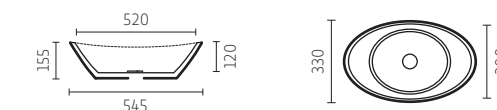
ON CONCEPT



GENOVA ABOVE COUNTERTOP /54 cm /

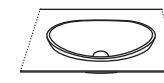

Ref.: 145

BASIN	DURIAN			PERIMETER COVER	DURIAN		
	DURIAN	SELECT MATE	METALL.		DURIAN	MARBLE COMPACT	PORCELA.
	678,02	1.034,68	1.138,71		172,76	169,04	172,76
54,5x33x15,5h.				36x24			

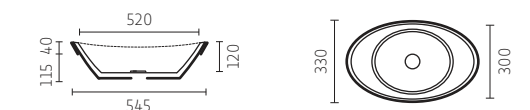


GENOVA SEMI EMBEDDED /54 cm /

Ref.: 175

BASIN	DURIAN			PERIMETER COVER	DURIAN		
	DURIAN	SELECT MATE	METALL.		DURIAN	MARBLE COMPACT	PORCELA.
	678,02	1.034,68	1.138,71		172,76	169,04	172,76
54,5x33x15,5h.				36x24			

• Perimeter indented for embedding 0,5 cm.



More information and assembly instructions.

VERONA




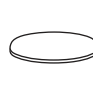


durian

ON CONCEPT



VERONA ABOVE COUNTERTOP /63 cm /

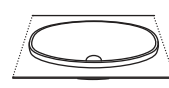



Ref.: 144

BASIN	PERIMETER COVER		
	DURIAN	SELECT MATE	METALL.
			
63x35x15,5h.	724,46	993,82	1.094,13



VERONA SEMI EMBEDDED /63 cm /

Ref.: 174

BASIN	PERIMETER COVER		
	DURIAN	SELECT MATE	METALL.
			
63x35x15,5h.	724,46	993,82	1.094,13

• Perimeter indented for embedding 0,5 cm.



More information and assembly instructions.



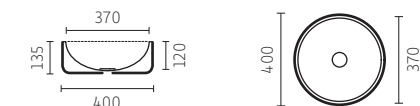
NEW POMPEI



NEW POMPEI ABOVE COUNTERTOP /Ø40 cm /

Ref.: 170

BASIN	DURIAN			PERIMETER COVER			
	DURIAN	SELECT MATE	METALL.	DURIAN	MARBLE COMPACT	PORCELA.	
40x40x13,5h.	685,45	995,67	1.095,98	ø28	191,33	191,33	191,33

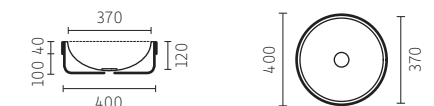


NEW POMPEI SEMI EMBEDDED /Ø40 cm /

Ref.: 172

BASIN	DURIAN			PERIMETER COVER			
	DURIAN	SELECT MATE	METALL.	DURIAN	MARBLE COMPACT	PORCELA.	
40x40x13,5h.	685,45	995,67	1.095,98	ø28	191,33	191,33	191,33

* Perimeter indented for embedding 0,5 cm.



More information and assembly instructions.



NEW TRENTO

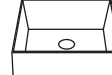
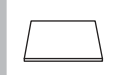
durian

ON CONCEPT



NEW TRENTO ABOVE COUNTERTOP / 37 cm /

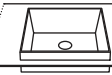
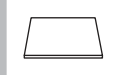
Ref.: 171

BASIN	PERIMETER COVER					
	DURIAN	SELECT MATE	METALL	DURIAN	MARBLE COMPACT	PORCELA.
						
37x37x12h.	640,87	947,38	1.042,11	32,3x32,3	172,76	169,04 172,76



NEW TRENTO SEMI EMBEDDED / 37 cm /

Ref.: 173

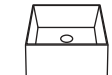
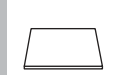
BASIN	PERIMETER COVER					
	DURIAN	SELECT MATE	METALL	DURIAN	MARBLE COMPACT	PORCELA.
						
37x37x12h.	640,87	947,38	1.042,11	32,3x32,3	172,76	169,04 172,76

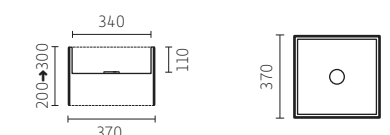
• Perimeter indented for embedding 0,5 cm.



NEW TRENTO XL HEIGHT / 37 cm /

Ref.: 371

BASIN	PERIMETER COVER					
	DURIAN	SELECT MATE	METALL	DURIAN	MARBLE COMPACT	PORCELA.
						
37x37x20→30h.	1.058,83			32,3x32,3	172,76	169,04 172,76



More information and assembly instructions.

PALERMO

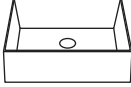
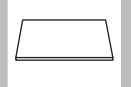
durian

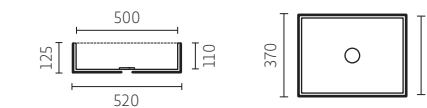
ON CONCEPT



PALERMO ABOVE COUNTERTOP / 50 cm /

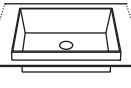
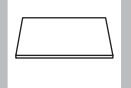
Ref.: 177

BASIN				PERIMETER COVER			
	DURIAN	SELECT MATE	METALL		DURIAN	MARBLE COMPACT	PORCELA.
50x37x12h.	702,17	1.016,11	1.118,28	50x32,3	193,19	185,76	193,19

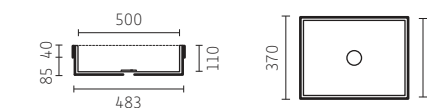


PALERMO SEMI EMBEDDED / 50 cm /

Ref.: 182

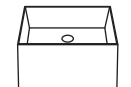
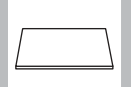
BASIN				PERIMETER COVER			
	DURIAN	SELECT MATE	METALL		DURIAN	MARBLE COMPACT	PORCELA.
50x37x12h.	702,17	1.016,11	1.118,28	50x32,3	193,19	185,76	193,19

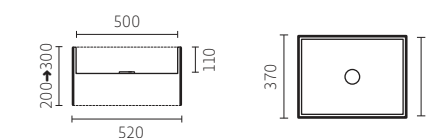
• Perimeter indented for embedding 0,5 cm.



PALERMO XL HEIGHT / 50 cm /

Ref.: 377

BASIN				PERIMETER COVER			
	DURIAN				DURIAN	MARBLE COMPACT	PORCELA.
50x37x20→30h.	1.164,72			50x32,3	193,19	185,76	193,19

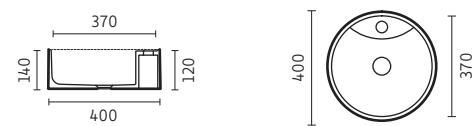


More information and assembly instructions.



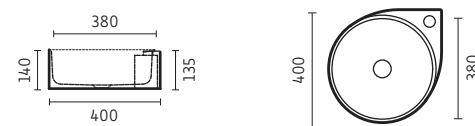
TODI
/Ø40 cm /

REFERENCE	WIDTH up to	DEPTH up to	HEIGHT up to	RRP
178	40	40	14	715,18



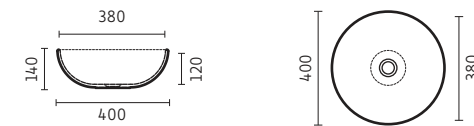
FORLI
/40 cm /

REFERENCE	WIDTH up to	DEPTH up to	HEIGHT up to	RRP
183	40	40	14	687,31



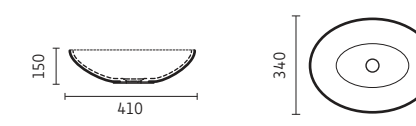
RHO
/Ø40 cm /

REFERENCE	WIDTH up to	DEPTH up to	HEIGHT up to	RRP
181	40	40	14	622,30



SONA
/41 cm /

REFERENCE	WIDTH up to	DEPTH up to	HEIGHT up to	RRP
184	41	34	15	622,30

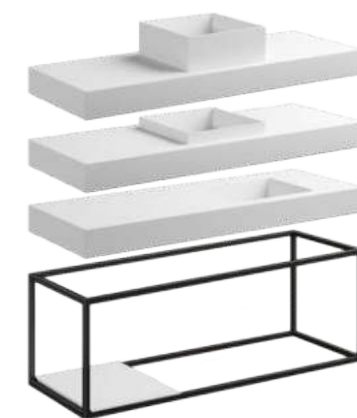


STRUCTURES

CUSTOM MADE



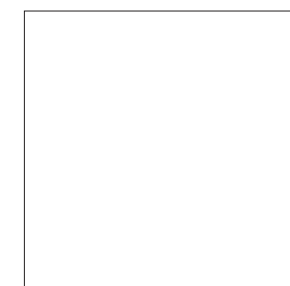
POSSIBILITIES



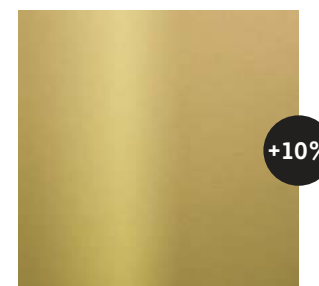
FINISHES



ESME01 BLACK



ESME02 WHITE



ESME05 GOLD



SUSPENDED XL

REFERENCE	WIDTH up to	DEPTH up to	HEIGHT up to	RRP
J02	60	46	55	863,78
J02	80	46	55	947,38
J02	100	46	55	1.068,12
J02	120	46	55	1.114,56

SUSPENDED AVERAGE

REFERENCE	WIDTH up to	DEPTH up to	HEIGHT up to	RRP
J03	60	46	40	724,46
J03	80	46	40	789,48
J03	100	46	40	882,36
J03	120	46	40	965,95

- Depth up to 55 cm +20%.
- Metallised colours +10%.

Singular spaces require unique and genuine furniture. Series of furniture that do not need suspension to be functional and lightweight at the same time.

With this fashionable vintage touch that allows perfectly adapting to all atmospheres, from the most classic to the most avantgarde.



COMPLEMENTS

A
 EXCLUDING SIDE TOWEL RAIL

REFERENCE	WIDTH	RRP
J2001	10	111,46

- Specify hand.

B
 INTEGRATED SIDE TOWEL RAIL

REFERENCE	DEPTH up to	RRP
J2101	46	57,59

- Specify hand.

C
 SHELF DURIAN® 2,4

REFERENCE	WIDTH up to	DEPTH up to 46
J23	30	326,94
J23	50	380,81

- Depth up to 55 cm +20%.


D
 INTEGRATED FRONT TOWEL RAIL

REFERENCE	WIDTH up to	RRP
J22	140	152,32



TO FLOOR

REFERENCE	WIDTH up to	DEPTH up to	HEIGHT up to	RRP
J01	60	46	88	817,34
J01	80	46	88	882,36
J01	100	46	88	993,82
J01	120	46	88	1.058,83
J01	140	46	88	1.123,85

- Depth up to 55 cm +20%.
- Metallised colours +10%.

The metal structure of the furniture makes it very versatile and aesthetically rich, allowing the use of some sections to be used as towel rails. This way we eliminate bothersome wall attachments.



Price of complete lower shelf see Durian® countertop without basin.



TOWEL RAILS



TOWEL RAIL TO CEILING

REFERENCE	DIMENSION up to	RRP
J07	60x90	538,70

• Profile dimension 2x2 cm.



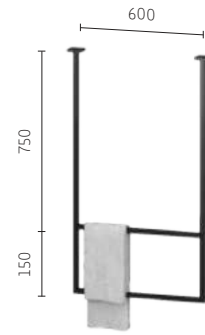
ESME01 BLACK



ESME02 WHITE



ESME05 GOLD



TOWEL RAIL TO FLOOR

REFERENCE	DIMENSION up to	RRP
J06	60x180	724,46

• Profile dimension 2x2 cm.



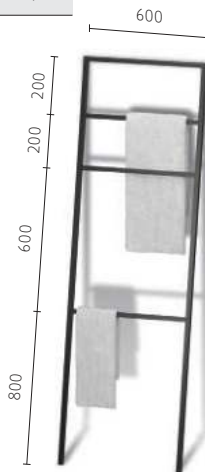
ESME01 BLACK



ESME02 WHITE



ESME05 GOLD



COUNTERTOP TOWEL RAIL SUPPORT

REFERENCE	DIMENSION up to	RRP
J08	50	547,99

• Profile dimension 2x2 cm.



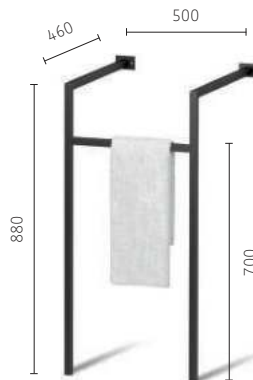
ESME01 BLACK



ESME02 WHITE



ESME05 GOLD



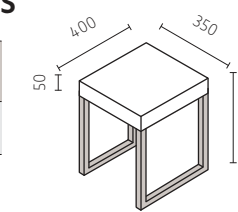
SEATS



STAINLESS STEEL SHOWER SEATS

REFERENCE	DIMENSION	RRP
J20	35x40x40h.	845,21

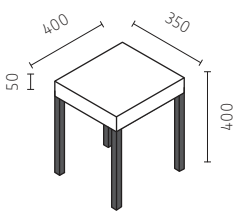
• Profile dimension 2x2 cm.



DRY AREA SEAT

REFERENCE	DIMENSION	RRP
J21	35x40x40h.	659,45

• Profile dimension 2x2 cm.



ESME01 BLACK



ESME02 WHITE



ESME05 GOLD

CEILING MIRRORS



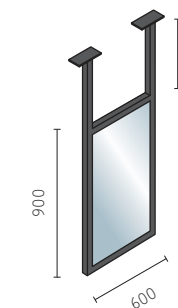
ESME01 BLACK



ESME02 WHITE



ESME05 GOLD



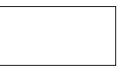
INDIA

REFERENCE	DIMENSION	RRP
E650	90x60	917,65

• 2-sided mirror.
• Profile dimension 2x2 cm.



ESME01 BLACK



ESME02 WHITE



ESME05 GOLD



NADIA

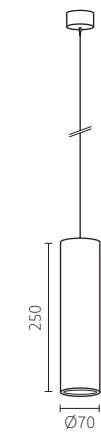
REFERENCE	DIMENSION	RRP
E660	90x50	956,66

• 2-sided mirror.
• Profile dimension 3 cm depth.





LAMP TUBE



REFERENCE	HEIGHT	DURIAN	BLACK	GOLD
9011 0000 0100	25	248,92	438,39	482,98

- Hanging lamp with direct light of 6W GU10 and 4000°K.
- Body made from Durian*.
- Suspension cable dimension 150 cm.

FINISHES



More information and assembly instructions.

SHOWER TRAYS



ALL DURIAN®

Solid Durian® mass without any covering or paint. Without visible joints. Available in its characteristic white colour.



ANTI-SLIP C3

The Durian® tray has successfully passed the authorisation tests obtaining the maximum degree of anti-slipping with the C3 certification.



CLEANING AND RESISTANCE

Durian® is an exclusive material resistant to stains and to bacterial agents, easy to clean. As well as highly resistant to all types of impact.



GOOD DRAINAGE

The 15 mm slanting towards the waste guarantees good drainage.



DESIGN AND COMFORT

We create fully customisable and exclusive integrated bath spaces starting from shower trays and in combination with panels, walls and countertops...

ANTI-SLIP

C3



XPRESS

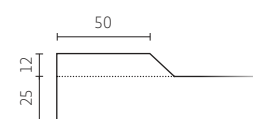
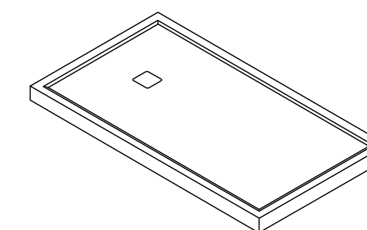


COMPLEMENTS



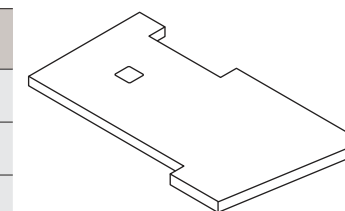
PERIMETERS

REFERENCE	RRP
901 700 000 014	83,59 /l.m.



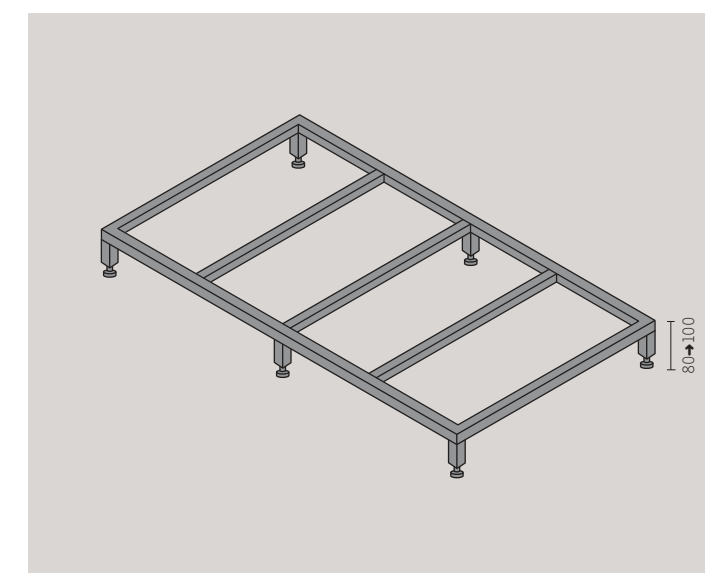
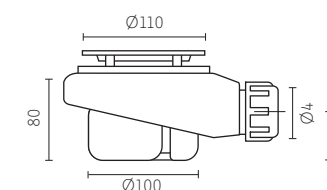
SPECIAL CUTS

REFERENCE	DESCRIPTION	RRP
901 700 000 001	L shaped cut	139,32
901 700 000 002	U shaped cut	139,32
901 700 000 003	Diagonal cut	139,32



OPTIONAL SUPPLEMENT (VIEGA WASTES)

REFERENCE	RRP
901 700 000 011	81,73



BASE STRUCTURE

REFERENCE	WIDTH up to	HEIGHT up to	WIDTH 80	WIDTH 100
9017 150 YYY 10	150	12	678,02	724,46
9017 180 YYY 10	180	12	724,46	817,34
9017 200 YYY 10	200	12	808,06	873,07

- YYY=080 / YYY=100.
- Adjustable legs.



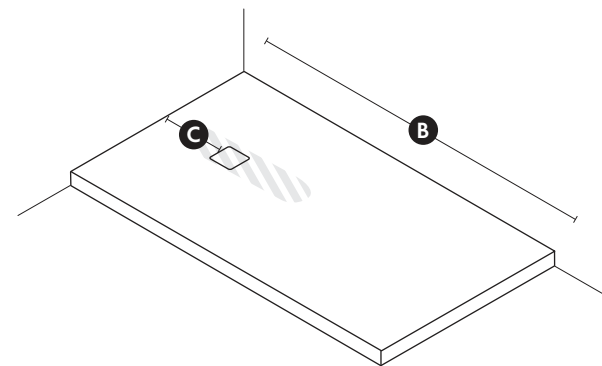
More information and assembly instructions.

XPRESS

DURIAN® COVER



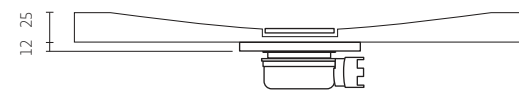
ANTI-SLIP C3



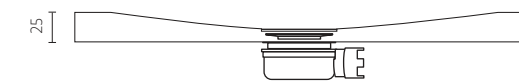
B	C
80→100	250
101→160	300
161200	600

LOCATION OF WASTE ACCORDING TO DIMENSION.

DURIAN® COVER



STAINLESS STEEL COVER



CUSTOM MADE XPRESS DURIAN® COVER

REFERENCE	LENGTH up to	WIDTH 70	WIDTH up to 80	WIDTH up to 90	WIDTH up to 100
701 100 YYY 200	100	1.283,60	1.348,62	1.426,64	1.532,52
701 110 YYY 200	110	1.302,18	1.402,49	1.497,23	1.575,24
701 120 YYY 200	120	1.385,77	1.439,64	1.525,09	1.608,68
701 130 YYY 200	130	1.460,07	1.508,37	1.616,11	1.718,28
701 140 YYY 200	140	1.484,22	1.549,24	1.669,98	1.755,43
701 150 YYY 200	150	1.558,53	1.629,12	1.733,14	1.829,74
701 160 YYY 200	160	1.603,11	1.677,41	1.788,87	1.896,61
701 170 YYY 200	170	1.761,00	1.844,60	1.948,62	2.056,36
701 180 YYY 200	180	1.816,73	1.889,18	1.998,78	2.128,81
701 190 YYY 200	190	1.920,76	1.993,20	2.132,52	2.260,70
701 200 YYY 200	200	1.985,77	2.063,79	2.225,40	2.297,85

• YYY=WIDTH.

XPRESS

STAINLESS STEEL COVER



CUSTOM MADE XPRESS STAINLESS STEEL COVER

REFERENCE	LENGTH up to	WIDTH 70	WIDTH up to 80	WIDTH up to 90	WIDTH up to 100
701 100 YYY 100	100	908,37	971,52	1.051,40	1.159,14
701 110 YYY 100	110	926,94	1.025,40	1.121,99	1.201,87
701 120 YYY 100	120	1.010,53	1.064,40	1.151,71	1.233,45
701 130 YYY 100	130	1.084,84	1.131,28	1.240,88	1.341,19
701 140 YYY 100	140	1.108,99	1.172,15	1.294,75	1.378,34
701 150 YYY 100	150	1.181,43	1.253,88	1.359,76	1.454,50
701 160 YYY 100	160	1.226,02	1.302,18	1.413,63	1.521,37
701 170 YYY 100	170	1.385,77	1.471,22	1.573,39	1.679,27
701 180 YYY 100	180	1.439,64	1.515,80	1.625,40	1.753,57
701 190 YYY 100	190	1.545,52	1.619,83	1.757,29	1.883,61
701 200 YYY 100	200	1.610,54	1.686,70	1.848,31	1.922,62

• YYY=WIDTH.

STANDARD XPRESS S.S. COVER

✓ STOCK ✓ STOCK

REFERENCE	LENGTH	WIDTH 70	WIDTH 80
701 100 YYY 110	100	891,65	952,95
701 110 YYY 110	110	908,37	1.006,82
701 120 YYY 110	120	990,10	1.045,83
701 130 YYY 110	130	1.064,40	1.108,99
701 140 YYY 110	140	1.088,55	1.151,71
701 150 YYY 110	150	1.161,00	1.229,73
701 160 YYY 110	160	1.203,72	1.278,03
701 170 YYY 110	170	1.359,76	1.443,36
701 180 YYY 110	180	1.411,78	1.486,08
701 190 YYY 110	190	1.515,80	1.588,25
701 200 YYY 110	200	1.580,82	1.655,12

• YYY=WIDTH.



ANTI-SLIP

C3



CONCEPT



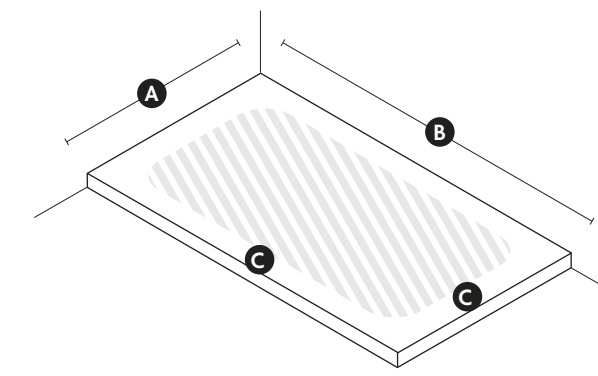
durian

SHOWER TRAYS

CONCEPT CUSTOM MADE

REFERENCE	DESCRIPTION	STAINLESS STEEL COVER	DURIAN® COVER
703 XXX YYY Z00	Flat	1.987,63 /m ²	2.392,59 /m ²
704 XXX YYY Z00	Contour Line	2.115,81 /m ²	2.520,76 /m ²

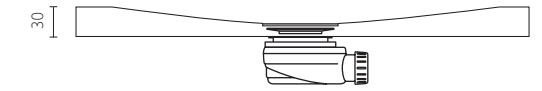
- Z=1 Stainless steel cover / Z=2 Durian® cover.
- Flat waste of 6 cm height and stainless-steel cover included.
- Minimum lengths of 1 meter.
- Supplement machining for dry area £ 334,37
- Supplement for second waste £ 436,54.



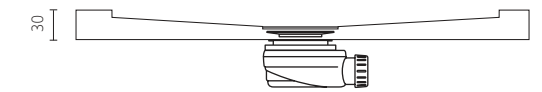
A 60→130 B 60→230 C 20

AREA FOR LOCATION OF WASTE.

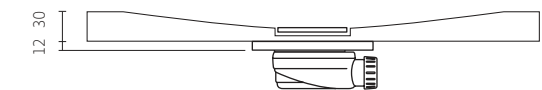
STAINLESS STEEL FLAT COVER



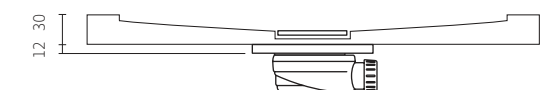
STAINLESS STEEL CONTOUR LINE COVER



DURIAN® STAINLESS STEEL FLAT COVER



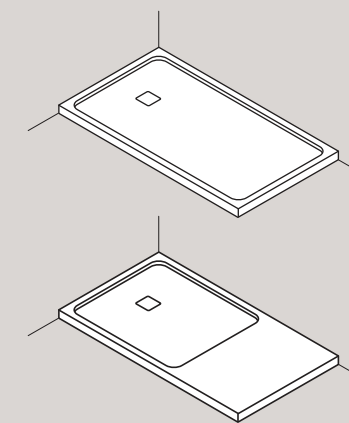
DURIAN® CONTOUR LINE COVER



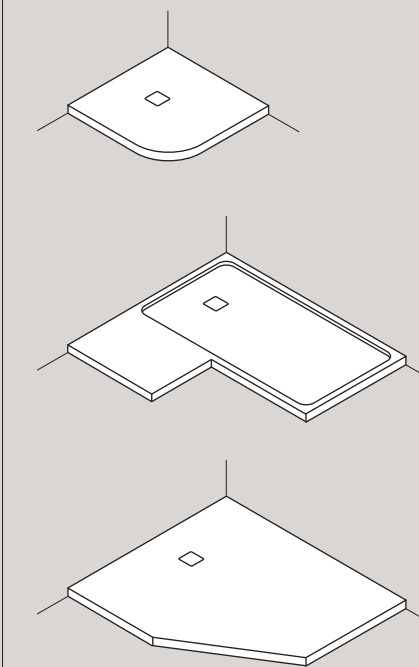
ANTI-SLIP C3

FULLY CUSTOMISABLE

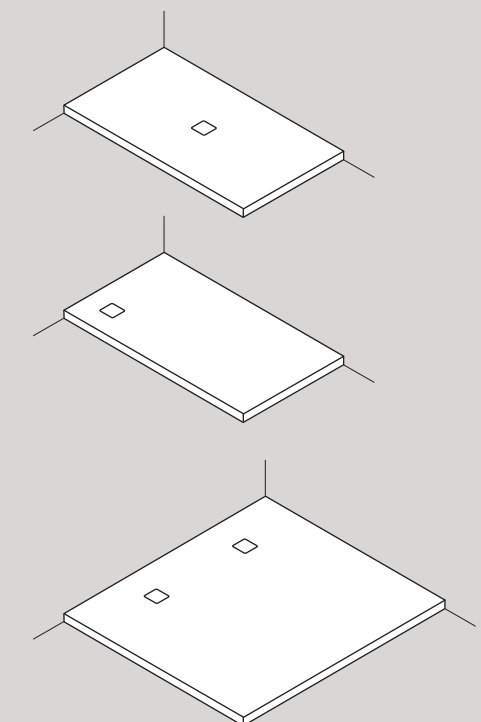
PERIMETERS



SHAPES AND DIMENSIONS



LOCATION OF THE WASTE



More information and assembly instructions.



ANTI-SLIP
C3



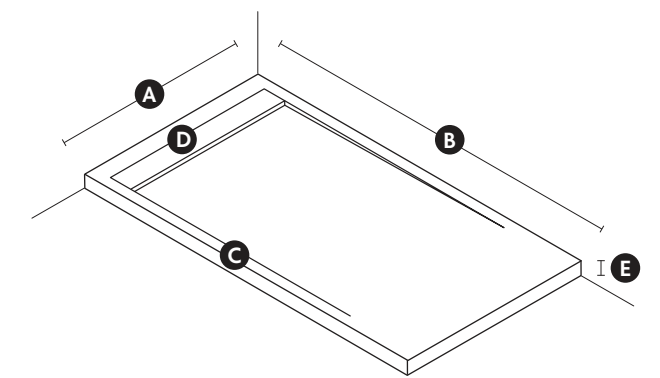
NEW PISA



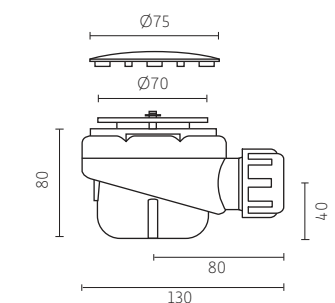
NEW PISA CUSTOM MADE

REFERENCE	LENGTH up to	WIDTH up to 70	WIDTH up to 80	WIDTH up to 90	WIDTH up to 100
705 100 YYY 200	100	1.224,16	1.285,46	1.361,62	1.465,65
705 110 YYY 200	110	1.242,73	1.337,47	1.430,35	1.506,51
705 120 YYY 200	120	1.322,61	1.374,62	1.456,36	1.536,24
705 130 YYY 200	130	1.395,06	1.439,64	1.545,52	1.642,12
705 140 YYY 200	140	1.417,35	1.478,65	1.595,68	1.677,41
705 150 YYY 200	150	1.487,94	1.556,67	1.658,84	1.749,86
705 160 YYY 200	160	1.530,66	1.603,11	1.710,85	1.814,88
705 170 YYY 200	170	1.682,99	1.764,72	1.865,03	1.965,34
705 180 YYY 200	180	1.736,86	1.807,44	1.913,33	2.035,93
705 190 YYY 200	190	1.837,17	1.907,76	2.039,64	2.162,25
705 200 YYY 200	200	1.900,32	1.974,63	2.130,67	2.199,40

• Flat waste of 6 cm height required.



A	B	C	D	D
55→100	100→200	5	5+9	2,5



ANTI-SLIP **C3**



More information and assembly instructions.



DECORATIVE PANELS



ACCESSORIES

WITH TECHNICAL SERVICE



FLAT PANEL

REFERENCE	RRP
502 XXX YYY 110	553,56 /m ²

- Maximum plate dimension 230x100 cm.
- Non polished edges.
- Minimum sizes of 0,4 m².

WITHOUT TECHNICAL SERVICE



PROFILES PANEL

REFERENCE	RRP
502 XXX YYY 110	553,56 /m ²

- Maximum plate dimension 230x100 cm.
- Non polished edges.
- Minimum sizes of 0,4 m².
- Vertical/horizontal positioning.
- Aluminium profile £ 83,59/L.m.



GROOVED PANEL

REFERENCE	RRP
502 XXX YYY 120	640,87 /m ²

- Maximum plate dimension 230x100 cm.
- Non polished edges.
- Minimum sizes of 0,4 m².
- Horizontal positioning.



BEVELED PANEL

REFERENCE	RRP
502 XXX YYY 130	761,62 /m ²

- Maximum plate dimension 230x100 cm.
- Non polished edges.
- Minimum sizes of 0,4 m².
- Vertical/horizontal positioning.

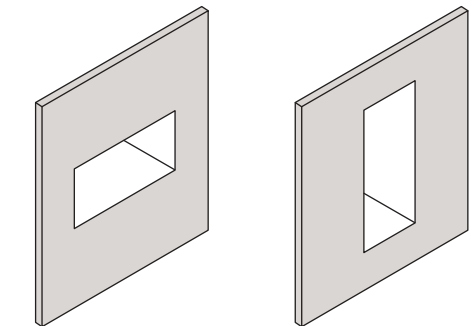
NICHES



LEVELLED NICHES

REFERENCE	DEPTH	DIMENSION up to	RRP
507 XXX YYY 110	7→15	30x60	678,02

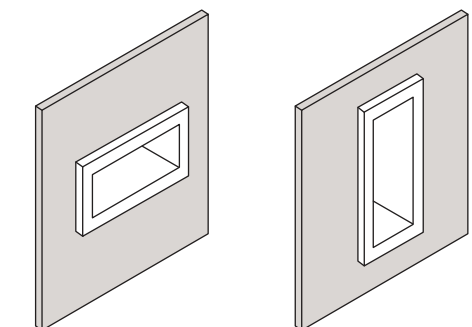
- Indicate horizontal or vertical position.
- Interior shelf +£ 83,59



EMBEDDED NICHE

REFERENCE	DEPTH	DIMENSION up to	RRP
507 XXX YYY 210	7→15	30x60	752,33

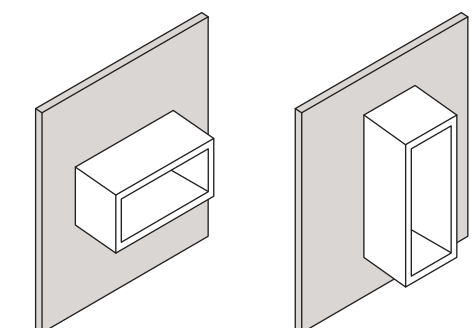
- Indicate horizontal or vertical position.



SURFACE NCHE

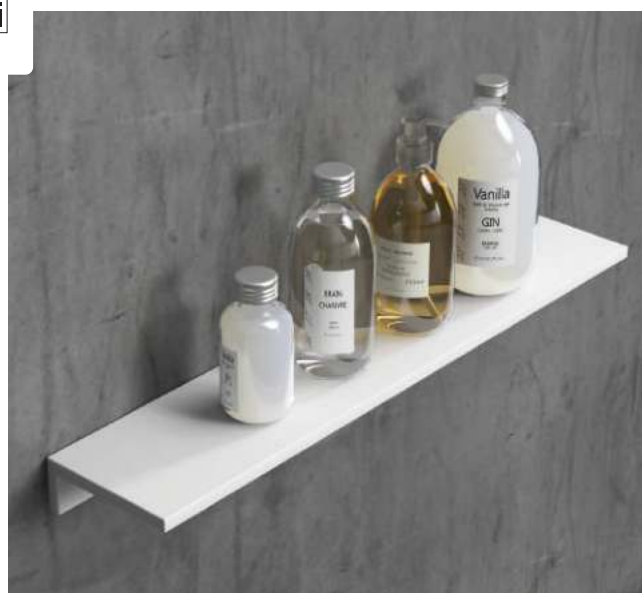
REFERENCE	DEPTH	DIMENSION up to	RRP
507 XXX YYY 120	10→20	30x60	613,01

- Indicate horizontal or vertical position.





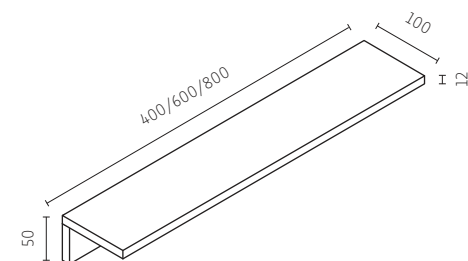
SHELVES



SHELF

REFERENCE	DEPTH	WIDTH 40	WIDTH 60	WIDTH 80
506 XXX YYY 710	10	343,66	380,81	436,54

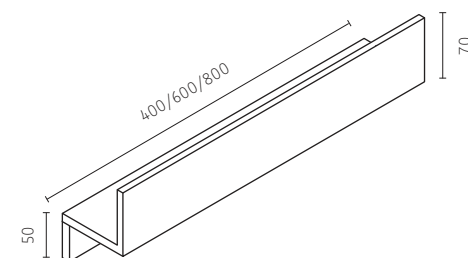
• Fixed to wall using assembly adhesive.



SHELF RAILING

REFERENCE	DEPTH	WIDTH 40	WIDTH 60	WIDTH 80
506 XXX YYY 500	10	390,10	427,25	492,26

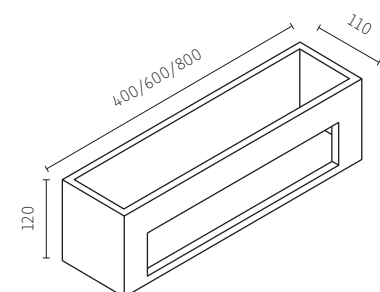
• Fixed to wall using assembly adhesive.



SOAP SHELF

REFERENCE	DEPTH	WIDTH 40	WIDTH 60	WIDTH 80
506 XXX YYY 600	11	473,69	566,57	678,02

• Fixed to wall using assembly adhesive.



ACCESSORIES

TOWEL RAILS



TOWEL RAIL SHELF

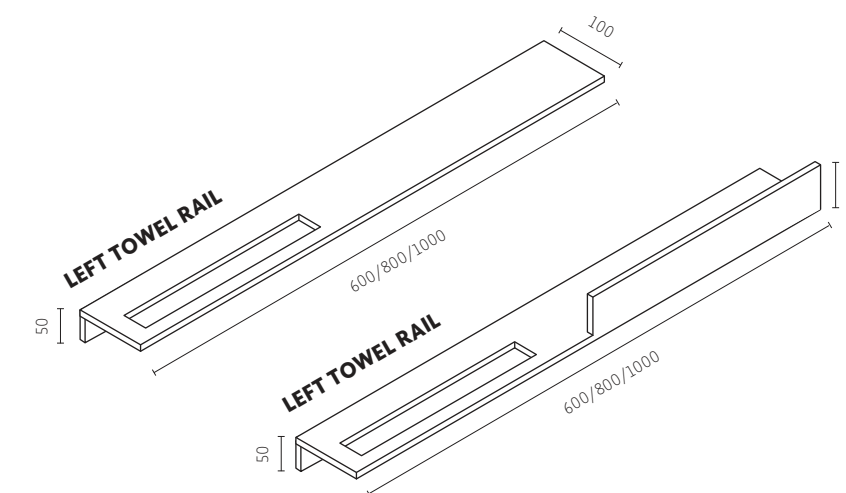
REFERENCE	DEPTH	WIDTH 60	WIDTH 80	WIDTH 100
506 XXX YYY 9P0	10	473,69	546,13	633,44

• P=2 Left / P=3 Right.

TOWEL RAIL SHELF RAILING

REFERENCE	DEPTH	WIDTH 60	WIDTH 80	WIDTH 100
506 XXX YYY 9P0	10	566,57	622,30	733,75

• P=2 Left / P=3 Right.
• Fixed to wall using assembly adhesive.



TRAYS



PLAIN TRAY

REFERENCE	DEPTH	WIDTH 40	WIDTH 60
506 XXX YYY 810	20	195,05	213,62



CONCEPT TRAY

REFERENCE	DEPTH	WIDTH 40	WIDTH 60
506 XXX YYY 820	20	234,06	273,07





BATH TUB



DURIAN®

NEW VERONA

COLOURS



durian

BATHTUB

NEW VERONA DURIAN®

The Verona model with curved lines and oval design, combines the sophistication and elegance with double back support ergonomics.

NEW VERONA COLOURS

The Verona Colours family offers the possibility of exterior paint to combine with other elements of the bath creating a homogeneous atmosphere.

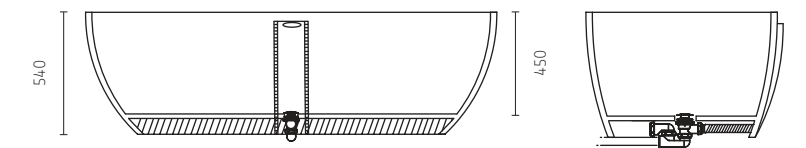


WITH INTEGRATED OVERFLOW

STOCK

REFERENCE	WIDTH	HEIGHT	DEPTH	DURIAN	SELECT MATE	METALL.
803 155 083 4CC	155	54	82	5.052,67	5.832,86	6.845,26
803 182 083 4CC	182	54	82	5.349,89	6.120,79	7.207,49

• CC=00 Durian® / CC=02 Select Mate / CC=03 Metallised.

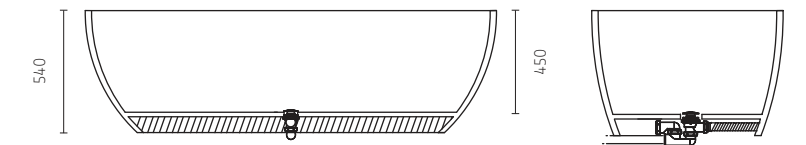


WITHOUT OVERFLOW WITH PRESSURIZED VALVE

STOCK

REFERENCE	WIDTH	HEIGHT	DEPTH	DURIAN	SELECT MATE	METALL.
804 155 083 4CC	155	54	82	5.052,67	5.832,86	6.845,26
804 182 083 4CC	182	54	82	5.349,89	6.120,79	7.207,49

• CC=00 Durian® / CC=02 Select Mate / CC=03 Metallised.



SELECT MATT LACQUER

Page 119.



METALLISED



More information and assembly instructions.

MILANO

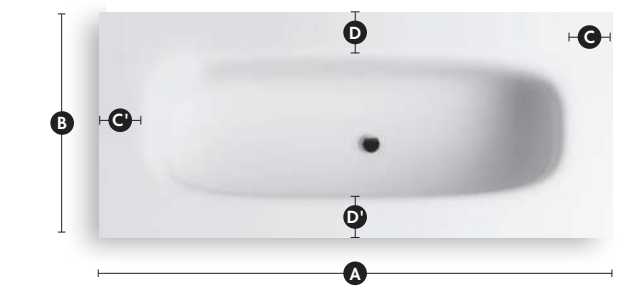
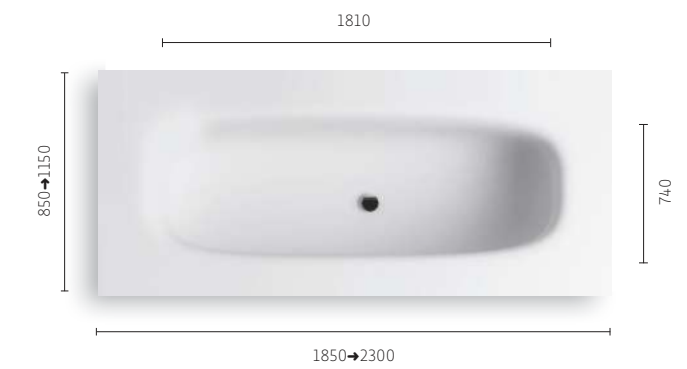


CUSTOMISABLE MILANO

Customisable Milano Bath, allows adapting to the most demanding spaces, offering different possibilities of installation; embedded, semi-embedded, in island, with furniture...

REFERENCE	WIDTH	HEIGHT	DEPTH	DURIAN
801 XXX YYY Z00	185→230	60	85→115	5.052,67

- The price includes special packaging, valve, and overflow in chrome.
- Does not include furniture.

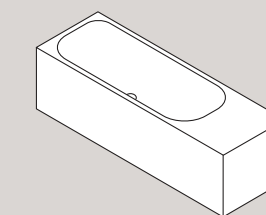
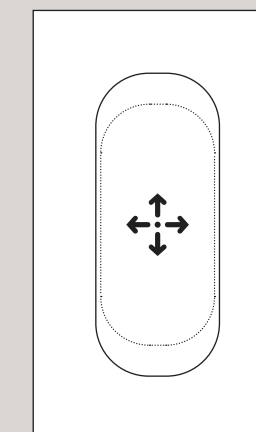


A B C D Necessary dimensions to make an order.
C ≥ 60 cm.

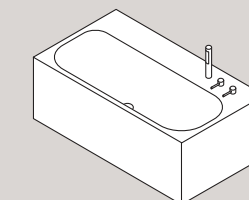
POSSIBILITIES OF BATH LOCATION

The Milano model of bath allows adaptation to the dimension of the space of each bathroom.

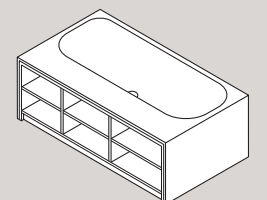
Likewise, it offers the possibility of customising the location of the bath to combine it with other elements like; basins, taps, and furniture.



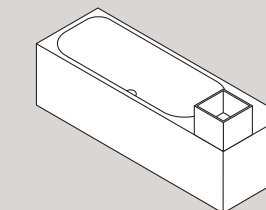
SIDE DISPLACEMENT
Shelf.



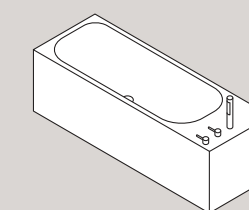
FRONT DISPLACEMENT
Taps.



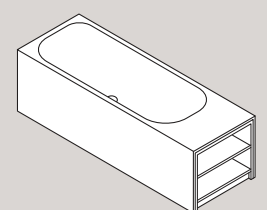
FRONT DISPLACEMENT
Furniture.



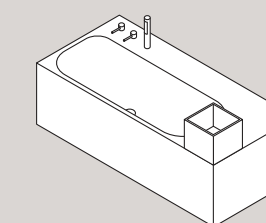
SIDE DISPLACEMENT
Basin.



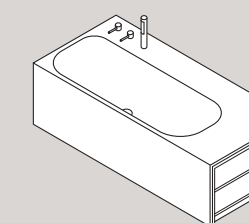
SIDE DISPLACEMENT
Taps.



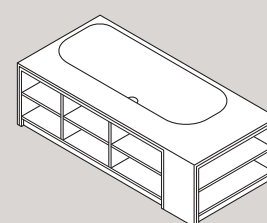
SIDE DISPLACEMENT
Furniture.



SIDE+FRONT DISPLACEMENT
Basin + Taps.



SIDE+FRONT DISPLACEMENT
Taps + Furniture.



SIDE+FRONT DISPLACEMENT
Furniture + Furniture.



More information and assembly instructions.

INTEGRATED SPACES

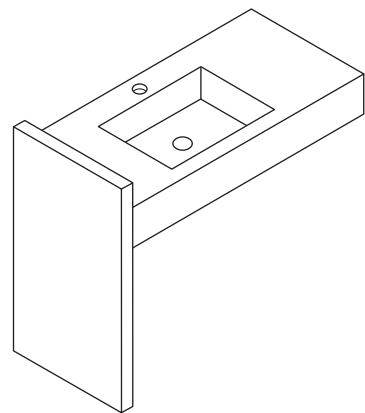




PARTITION WALLS

REFERENCE	DIMENSION up to	THICK- NESS 5	THICK- NESS 8
504 XXX YYY Z00	50x100h.	887,93	984,53
504 XXX YYY Z00	90x100h.	1.443,36	1.608,68

- Z=5 Thickness 5 cm / Z=8 Thickness 8 cm.
- For greater thicknesses, increases of 10% every 10 cm.

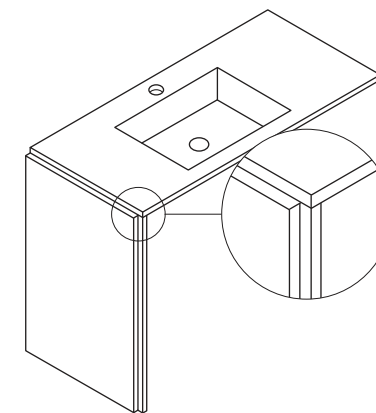


INTEGRATED WALL

REFERENCE	DIMENSION	THICK- NESS 2,4
505 046 086 300	46x86h.	581,43
505 055 090 300	up to 55x90h.	674,31

✓
STOCK

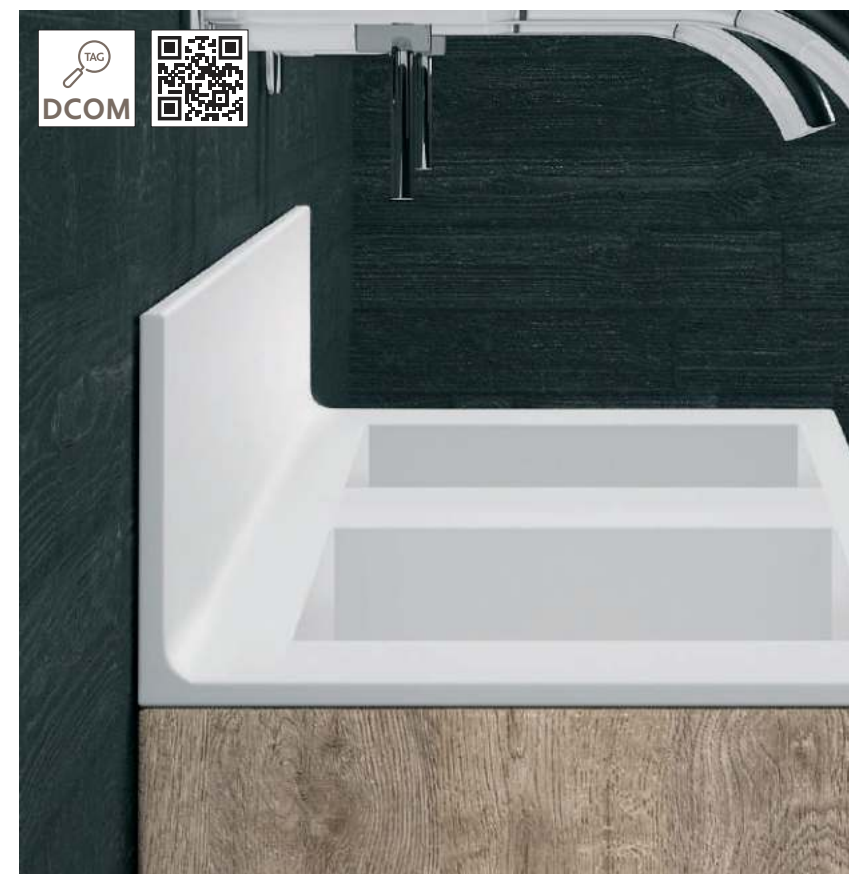
- For greater thicknesses, increases of 10% every 10 cm.





PANEL FOR SHOWER VALVES

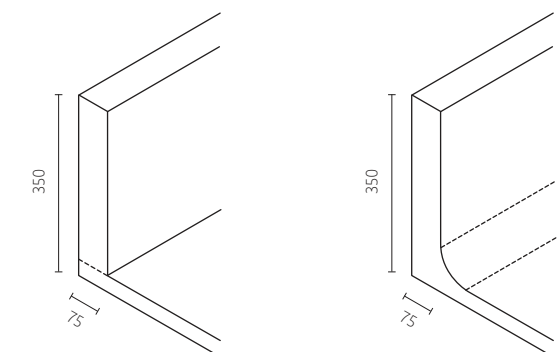
REFERENCE	DIMENSION up to	THICKNESS up to 10
505 XXX YYY 110	80x10x230h.	2.219,83
505 XXX YYY 110	90x10x230h.	2.331,29
505 XXX YYY 110	100x10x230h.	2.442,74



EMBEDDED TAP UPSTANDS

REFERENCE	DESCRIPTION	RRP
503 XXX YYY 130	Square without joints	369,66
503 XXX YYY 140	Half round	555,42

- Minimum recommendable vanity top depth 50 cm.
- Please attach taps technical drawing.



BIDET TAP MACHINING

REFERENCE	DESCRIPTION	RRP
503 XXX YYY 150	Machining	176,47

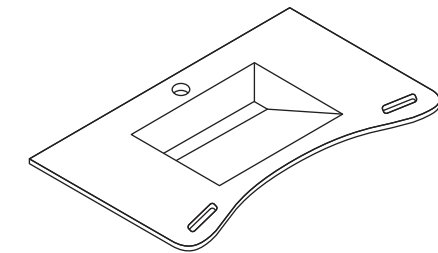
- Minimum skirt height 10 cm.
- Please attach taps technical drawing.



ACCESSIBLE BASIN

REFERENCE	DEPTH	WIDTH up to 90	WIDTH up to 100	WIDTH up to 120
901 700 000 018	53	1.012,39	1.068,12	1.291,03

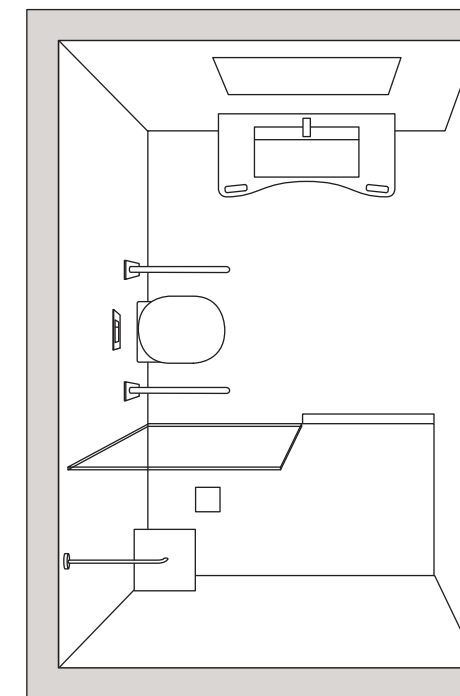
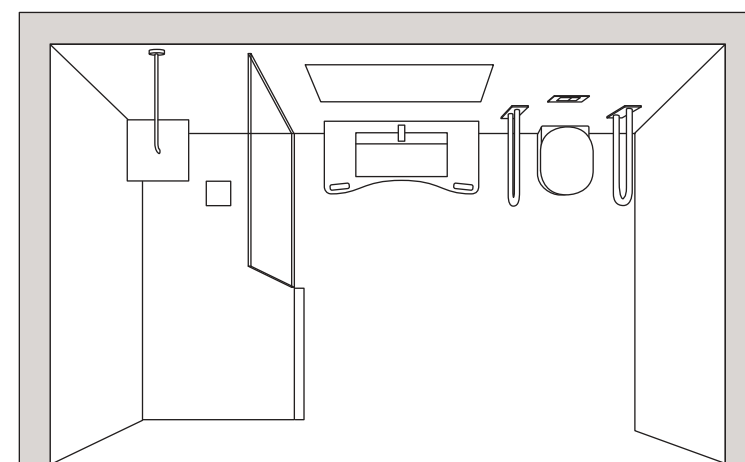
• It is essential to send a technical scheme of the base metal structure.



WE ADAPT TO YOUR NEEDS



Durian® is committed to individuals of reduced mobility, we offer solutions using access ramps into shower trays and handrails integrated within our basins.



ACCESSIBLE RAMP

REFERENCE	DIMENSION	RRP
901 700 000 013	5x2,5h.	157,90 /l.m.





ORDER FORM

CUSTOMER				TELEPHONE			
DELIVERY ADDRESS							
EMAIL		DATE	/	/	REF. ORDER		

FURNITURE AND WASHB. Unless otherwise stated, Classic structure and Handleless in POSITION P1 is supplied. In the case of a door, always indicate the opening side. If there are several compositions, please fill in a separate form for each one.

UNIT	CODE	DESCRIPTION	STRUCTURE	HANDLELESS/HANDLE	FINISHES	L	H	D	EXTRAS*	OPENING		€
										LEFT	RIGHT	

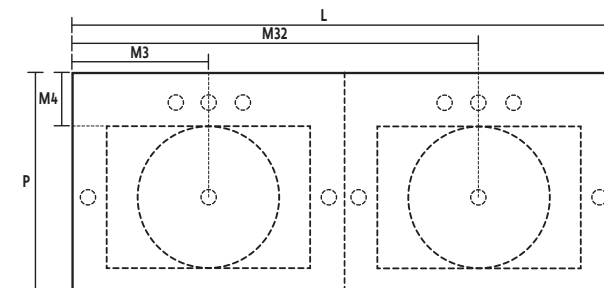
COUNTERTOPS If not otherwise specified, tap and basin position centred. M3 and M32 only complete in case of displaced or double basin.

UNIT	MODEL	WASHBASIN MEASUREMENTS	FINISH	TAP		L	H	D	M3	M32	EXTRAS*	€
				YES	NO							

EXTRAS*

- Bottom LED
- LED light
- Side sensor
- Scala runner
- Top LED
- Interior plug
- Magnification mirror
- Siphons
- Front on/off
- Interior drawer
- Rack
- Overflow
- Antimist
- Speaker
- Segurglass
- Valve
- Towel holder
- Extra shelf

*The extras that can be included for each product are specified in the price list.



COUNTERTOPS For compositions with several modules, draw a sketch indicating the order of the modules.

DURIAN® WASHBASINS

group	model	L basin	H basin	D basin	countertop depth	drawer height
B	ELBA 110	111/112	11/12.5	30/33	>46	>24
B	ELBA 40	40/42	11/12.5	30/33	>46	>24
B	ELBA 50	50/52	11/12.5	30/33	>46	>24
B	ELBA 60	60/62	11/12.5	30/33	>46	>24
B	ELBA SLIM 50	50/53	8.5/10.5	30/33	>46	>22
B	FLORENCE 40	40/44	11./13	30/34	>46	>24
	Straight handleless depth min. 47 cm.					
B	FLORENCE 50	50/54	11./13	30/34	>46	>24
	Straight handleless depth min. 47 cm.					
B	FLORENCE 60	60/62	11./15	30/35	>46	>28
	Straight handleless depth min. 47 cm.					
B	FLORENCE 80	80/84	14/17	30/35	>46	>28
	Straight handleless depth min. 47 cm.					
B	FLORENCE 100	101/105	14/17	30/35	>46	>28
	Straight handleless depth min. 47 cm.					
A	PISA FLAT 50	49/53	12./14	31/35	>48	>26
	Straight handleless depth min. 49 cm.					
A	PISA FLAT 59	59/63	12./14	31/35	>48	>26
	Straight handleless depth min. 49 cm.					
A	PISA FLAT 100	100/103	12./14	31/35	>48	>26
	Straight handleless depth min. 49 cm.					
A	FERRARA 50	50/53	11./13	31/34	>48	>24
	With or without cover. If no cover is indicated, the perimeter cover will be supplied on the left. Recommended cover location 17 cm from the start of the washbasin.					
A	FERRARA 59	59/63	11./13	31/34	>48	>24
	With or without cover. If no cover is indicated, the perimeter cover will be supplied on the left. Recommended cover location 17 cm from the start of the washbasin. Extra charge for cover.					
A	SICILIA 44	45/47	11./13	32/35	>48	>26
	Straight handleless depth min. 49 cm.					
A	SICILIA 50	49/53	11./13	32/35	>48	>26
	Straight handleless depth min. 49 cm.					
A	SICILIA 60	60/62	11./13	32/35	>48	>26
	Straight handleless depth min. 49 cm.					
A	59 MILANO	57/62	14/16	31/35	>48	>28
	Straight handleless depth min. 49 cm.					
A	BOLOGNA	49/52	11./12	30/34	>48	>24
B	VENECIA	59/65	10./13	31/33	>46	>24
	Straight handleless depth min. 47 cm.					
B	NEW SIENA	45/48	12.5/14	28/32	>46	>24
B	NEW CAPRI	50/54	10./14	29/33	>46	>24
A	NEW NAPOLI	32/36	11./13	32/36	>48	>24
	Straight handleless depth min. 49 cm.					
C	SIENA MINI	48/49	8.5/10.5	22.5/25	>40	>24
C	TURIN	33/35	9./10	25/27	>40	>24
	Straight handleless depth min. 41 cm.					
C	ELBA MINI	40/42.5	10./13	25/27.5	>40	>26
	Straight handleless depth min. 41 cm.					
C	FLORENCE MINI	40/44	11./14	21/25	>40	>26



GENERAL SALES CONDITIONS

PRICES AND PRODUCT:

The prices indicated in this Pricelist are RRP, except for any printing errors. VAT and assembly are not included. This Pricelist replaces all previous ones.

The company reserves the right to partially or completely technically modify any of the products that appear in this Pricelist always for their improvement, and without previous warning.

The company is not responsible for possible colour changes in extensions or variations of orders supplied later.

ORDERS:

Only orders that are received in writing and including all required data, dimensions, and finishes can be processed. Later, a valued confirmation with estimated delivery time will be remitted for your verification of all the data included, acceptance of the same will be considered as the order document.

Any orders made cannot be cancelled after 24 hours, after this period the company will charge the manufacturing expenses incurred even after cancellation.

All orders received are processed individually and cannot be grouped with others.

Delivery times are estimated, without forming a firm commitment, the company will not be responsible for possible compensations for full or partial delay in the delivery.

TRANSPORT AND GOODS:

Prices do not include transport, they are ex work.

The company does not accept any returns, any shipment made to our facilities without previous authorisation will be immediately rejected and returned to the sender.

TERMS OF PAYMENT:

Payment as per previously agreed terms with the company.

The client must scrupulously comply with the agreed terms of payment. In the case of there being a delay in payment or non-payment, no further supplies will be made to the client or any acceptance of new orders until the client is up to date with its payments.

If no settlement is made within 15 days, we will issue a lack of payment notification to our insurance agency.

The goods are the property of the company until full payment has been made of the corresponding invoice, and the client is a depositary of the goods until then.

GUARANTEE:

All the products are guaranteed against any manufacturing defect according to current European legislation. The guarantee consists of the repair or replacement of the defective elements according to the criteria of the company.

The guarantee does not cover deterioration caused by incorrect installation, manipulation, maintenance, or use of the goods.

Any other claim made by the client is excluded.

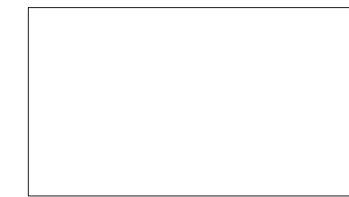
Any product claim must be made in writing and accompanied by the corresponding sales invoice.

COURTS:

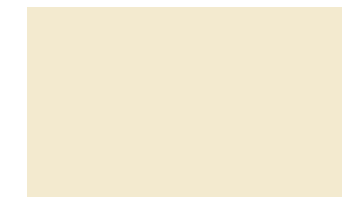
Making an order involves the acceptance of all and each of the general sales conditions.

In the case of litigation, both parties are subject to the jurisdiction of the one issuing the sales invoice.

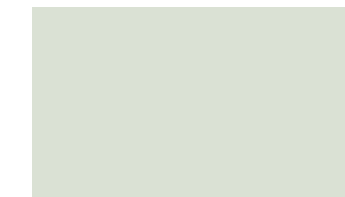
SELECT MATT LACQUER



SX0001 RAL WHITE



SX0009 RAL 1013



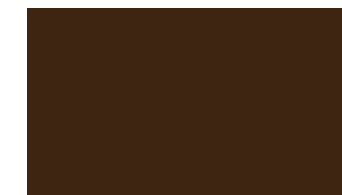
SX0006 RAL 9002



SX0002 RAL 9003



SX0010 RAL 7006



SX0011 RAL 8014



SX0003 RAL 7047



SX0004 RAL 7045



SX0005 RAL 7015



SX0009 RAL 7030



SX0007 RAL 7032



SX0008 RAL 7033



SX0012 RAL 6011



SX0013 RAL 6013



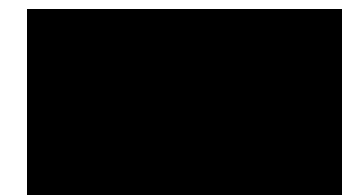
SX0013 RAL 6028



SX0012 RAL 6034



SX0024 RAL 5000



SX0014 RAL 9005



SX0019 RAL 1034



SX0020 RAL 3012



SX0017 RAL 1032



SX0018 RAL 2000



SX0019 RAL 2001



SX0020 RAL 3001



SX0021 RAL 3003



SX0015 RAL 3015



SX0016 RAL 4008



SX0022 RAL 5024



SX0023 RAL 5007



SX0024 RAL 5003





durian[®]

CASCADA UK

01482 667 451 • info@cascada.uk.com

BUJIOL S.L.

Pol. Centrovía - Nicaragua, 6 • 50198 La Muela • ZARAGOZA (Spain)
(+34) 976 905 070 • export@kyrya.es

WWW.DURIAN.ES



KYRYA[®]
- GROUP -